



**Automatización Eléctrica**

Especialistas en Automatización

At the end of this document you will find links to products related to this catalog. You can go directly to our shop by clicking [HERE](#)

### General Information

Extended Product Type:	JSM A60B
Product ID:	2TLA040037R1600
EAN:	7350024462555
Catalog Description:	JSM A60B Cable duct 44x60 incl. cap, L= 2000mm
Long Description:	Cable duct 44x60mm without holes. Natural anodized Aluminium. Length 2000mm

### Categories

Products » Low Voltage Products and Systems » Control Products » Safety Products » Fencing Systems

### Ordering

EAN:	7350024462555
Minimum Order Quantity:	1 piece
Customs Tariff Number:	76109090

### Dimensions

Product Net Width:	2.0 m
Product Net Height:	0.060 m
Product Net Depth:	0.044 m
Product Net Weight:	1.9 kg

### Container Information

Package Level 1 Units:	1 piece
Package Level 1 Gross Weight:	1.9 kg

### Additional Information

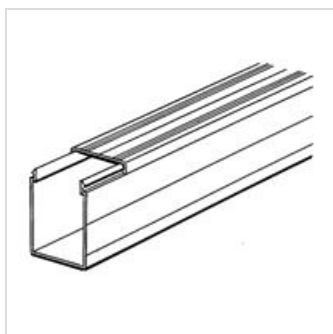
Product Main Type:	Quick-Guard
Product Name:	Safety Fencing Systems Quick Guard

### Certificates and Declarations (Document Number)

Data Sheet, Technical Information:	2TLC172001C0202_chapter13
Declaration of Conformity - CE:	NoDecNee

### Classifications

ETIM 4:	EC000059 - Installation duct
ETIM 5:	EC000059 - Installation duct
Object Classification Code:	U





**Automatización Eléctrica**  
Especialistas en Automatización

Below is a list of articles with direct links to our shop Electric Automation Network where you can see:

- Quote per purchase volume in real time.
- Online documentation and datasheets of all products.
- Estimated delivery time enquiry in real time.
- Logistics systems for the shipment of materials almost anywhere in the world.
- Purchasing management, order record and tracking of shipments.

To access the product, [click on the green button.](#)

<b>Product</b>	<b>Code</b>	<b>Reference</b>	<b>Product link</b>
JSM A60B Cable duct 44x60 incl. cap, L=2000mm	2TLA040037R1600	JSM A60B	<a href="#">Buy on EAN</a>