



**Automatización Eléctrica**

Especialistas en Automatización

At the end of this document you will find links to products related to this catalog. You can go directly to our shop by clicking [HERE](#)

### General Information

Extended Product Type:	JSM A56, meter
Product ID:	2TLA040037R4900
EAN:	7350024462777
Catalog Description:	JSM A56 Guiding rail, aluminium incl. screw, meter
Long Description:	Guiding rails for slidingdoors. JSM D5 fit this rail. Natural anodized Aluminium, max length 6000mm

### Categories

Products » Low Voltage Products and Systems » Control Products » Safety Products » Fencing Systems

### Ordering

EAN:	7350024462777
Minimum Order Quantity:	0.1 m
Customs Tariff Number:	76109090

### Dimensions

Product Net Width:	0.000 m
Product Net Height:	0.079 m
Product Net Depth:	0.056 m
Product Net Weight:	1.585 kg

### Container Information

Package Level 1 Units:	0.1 m
Package Level 1 Gross Weight:	1.585 kg

### Additional Information

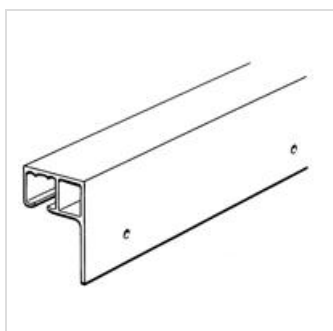
Product Main Type:	Quick-Guard
Product Name:	Safety Fencing Systems Quick Guard

### Certificates and Declarations (Document Number)

Data Sheet, Technical Information:	2TLC172001C0202_chapter13
Declaration of Conformity - CE:	NoDecNee

### Classifications

ETIM 4:	EC001093 - Sliding gate operator
ETIM 5:	EC001093 - Sliding gate operator
Object Classification Code:	U





**Automatización Eléctrica**  
Especialistas en Automatización

Below is a list of articles with direct links to our shop Electric Automation Network where you can see:

- Quote per purchase volume in real time.
- Online documentation and datasheets of all products.
- Estimated delivery time enquiry in real time.
- Logistics systems for the shipment of materials almost anywhere in the world.
- Purchasing management, order record and tracking of shipments.

To access the product, [click on the green button.](#)

Product	Code	Reference	Product link
JSM A56 Guiding rail, aluminium incl. screw, meter	2TLA040037R4900	JSM A56	<a href="#">Buy on EAN</a>