



Automatización Eléctrica

Especialistas en Automatización

At the end of this document you will find links to products related to this catalog. You can go directly to our shop by clicking [HERE](#)

General Information

Extended Product Type:	JSM PL2C, 2000mm
Product ID:	2TLA040038R0900
EAN:	7350024462982
Catalog Description:	JSM PL2C Securing strip L=2000mm for sheets 4mm
Long Description:	Infill securing strip in black ABS plastic. L=2000 mm for 4 mm panels.

Categories

Products » Low Voltage Products and Systems » Control Products » Safety Products » Fencing Systems

Ordering

EAN:	7350024462982
Minimum Order Quantity:	1 piece
Customs Tariff Number:	39269097

Dimensions

Product Net Width:	2.0 m
Product Net Height:	0.011 m
Product Net Depth:	0.01 m
Product Net Weight:	0.052 kg

Container Information

Package Level 1 Units:	1 piece
Package Level 1 Gross Weight:	0.052 kg

Additional Information

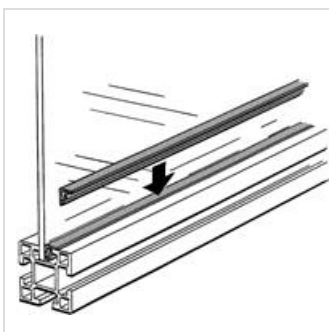
Product Main Type:	Quick-Guard
Product Name:	Safety Fencing Systems Quick Guard

Certificates and Declarations (Document Number)

Data Sheet, Technical Information:	2TLC172001C0202_chapter13
Declaration of Conformity - CE:	NoDecNee

Classifications

ETIM 4:	EC000800 - Cover strip for wall duct
ETIM 5:	EC002783 - Accessories for safety equipment
Object Classification Code:	U





Below is a list of articles with direct links to our shop Electric Automation Network where you can see:

- Quote per purchase volume in real time.
- Online documentation and datasheets of all products.
- Estimated delivery time enquiry in real time.
- Logistics systems for the shipment of materials almost anywhere in the world.
- Purchasing management, order record and tracking of shipments.

To access the product, [click on the green button.](#)

Product	Code	Reference	Product link
JSM PL2C Securing strip L=2000mm for sheets 4mm	2TLA040038R0900	JSM PL2C	Buy on EAN