



**Automatización Eléctrica**

Especialistas en Automatización

At the end of this document you will find links to products related to this catalog. You can go directly to our shop by clicking [HERE](#)

## General Information

|                        |   |
|------------------------|---|
| Extended Product Type: | IS2                                     |
| Product ID:            | EV1084                                  |
| EAN:                   | 8015646690753                           |
| Catalog Description:   | PROTECTION WINDOWS 600X400MM(HxW)D=46MM |
| Long Description:      | Protection windows 600x400x46mm (HxWxD) |

## Categories

Products » Low Voltage Products and Systems » Enclosures (System Pro E) » Automation and Control Enclosures (System pro E control) » Enclosures - Baying (Horizontal Joining)

## Ordering

|                         |               |
|-------------------------|---------------|
| EAN:                    | 8015646690753 |
| Minimum Order Quantity: | 1 piece       |
| Customs Tariff Number:  | 85381000      |

## Dimensions

|                     |          |
|---------------------|----------|
| Product Net Depth:  | 0.046 mm |
| Product Net Weight: | 3.840 kg |

## Container Information

|                               |               |
|-------------------------------|---------------|
| Package Level 1 Units:        | 1 piece       |
| Package Level 1 Width:        | 0.410 m       |
| Package Level 1 Height:       | 0.055 m       |
| Package Level 1 Length:       | 0.780 m       |
| Package Level 1 Gross Weight: | 3.920 kg      |
| Package Level 1 EAN:          | 8015646690753 |

## Environmental

|              |  |
|--------------|--|
| RoHS Status: | Planned to follow EU Directive 2002/95/EC August 18, 2005 and amendment after 2006-07-01 |
|--------------|--|

## Additional Information

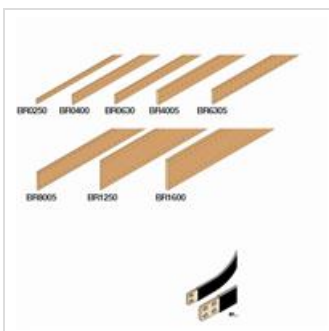
|                             |                               |
|-----------------------------|-------------------------------|
| Product Main Type:          | IS2 Enclosures for Automation |
| Product Name:               | Control and Automation Board  |
| Suitable For:               | IS2 Enclosures for Automation |
| Suitable for Product Class: | Control and Automation Board  |

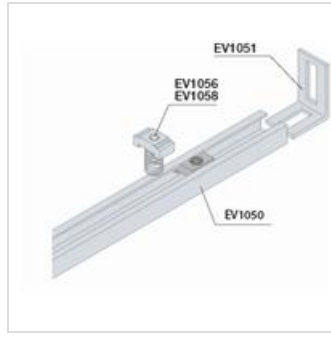
## Certificates and Declarations (Document Number)

|                                    |                 |
|------------------------------------|-----------------|
| Data Sheet, Technical Information: | 1STC804013D0203 |
| Declaration of Conformity - CE:    | not applicable  |
| RoHS Information:                  | 1STC860027      |

## Classifications

|                             |   |
|-----------------------------|---|
| Object Classification Code: | U |
|-----------------------------|---|







Below is a list of articles with direct links to our shop Electric Automation Network where you can see:

- Quote per purchase volume in real time.
- Online documentation and datasheets of all products.
- Estimated delivery time enquiry in real time.
- Logistics systems for the shipment of materials almost anywhere in the world.
- Purchasing management, order record and tracking of shipments.

To access the product, [click on the green button.](#)

| <b>Product</b>                          | <b>Code</b> | <b>Reference</b> | <b>Product link</b>        |
|---|-------------|------------------|----------------------------|
| PROTECTION WINDOWS 600X400MM(HXW)D=46MM | EV1084      |                  | <a href="#">Buy on EAN</a> |