



Automatización Eléctrica
Especialistas en Automatización

At the end of this document you will find links to products related to this catalog. You can go directly to our shop by clicking [HERE](#)

General Information

Extended Product Type:	FE ES16/7.963.1111
Product ID:	1SNA193449R2400
EAN:	3472591934496
Catalog Description:	FE ES16/7.963.1111 - End Sections Beige
Long Description:	FEE10-16-BE - End Sections - Beige - 1.5mm Spacing

Categories

Products » Low Voltage Products and Systems » Connection Devices » Terminal Blocks Accessories » End Sections

Ordering

EAN:	3472591934496
Minimum Order Quantity:	10 piece
Customs Tariff Number:	39269097

Dimensions

Product Net Weight:	4.7 g
---------------------	-------

Container Information

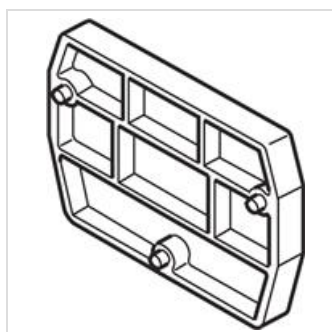
Package Level 1 Units:	10 piece
Package Level 1 Width:	155 mm
Package Level 1 Height:	5 mm
Package Level 1 Length:	200 mm
Package Level 1 EAN:	3472591934496
Package Level 2 Units:	500 piece
Package Level 2 Width:	300 mm
Package Level 2 Height:	150 mm
Package Level 2 Length:	500 mm
Product Packing Type:	Bag

Additional Information

Color:	Beige
Function:	End Sections
IIT Publishing Status:	Level 0 - Information enabled
Mounting on DIN Rail:	G32 (32 x 15 mm Mounting Rail) acc. to IEC 60715 TH35-7.5 (35 x 7.5 mm Mounting Rail) acc. to IEC 60715 TH35-15 (35 x 15 mm Mounting Rail) acc. to IEC 60715
Product Main Type:	FE
Product Name:	End Section
Spacing:	1.5 mm
Suitable For:	E10/16 E10/16.S

Classifications

ETIM 4:	EC000886 - Endplate and partition plate for terminal block
ETIM 5:	EC000886 - Endplate and partition plate for terminal block
Object Classification Code:	X





Below is a list of articles with direct links to our shop Electric Automation Network where you can see:

- Quote per purchase volume in real time.
- Online documentation and datasheets of all products.
- Estimated delivery time enquiry in real time.
- Logistics systems for the shipment of materials almost anywhere in the world.
- Purchasing management, order record and tracking of shipments.

To access the product, [click on the green button.](#)

Product	Code	Reference	Product link
FE ES16/7.963.1111 - End Sections Beige	1SNA193449R2400	ES 16 V0	Buy on EAN