

The OMRON logo is displayed in a bold, blue, sans-serif font. The letters are thick and rounded, with the 'O' being a simple circle. The entire logo is set against a light yellow rectangular background.

Automatización Eléctrica
Especialistas en Automatización

At the end of this document you will find links to products related to this catalog. You can go directly to our shop by clicking [HERE](#). [HERE](#)

Tailor to your needs

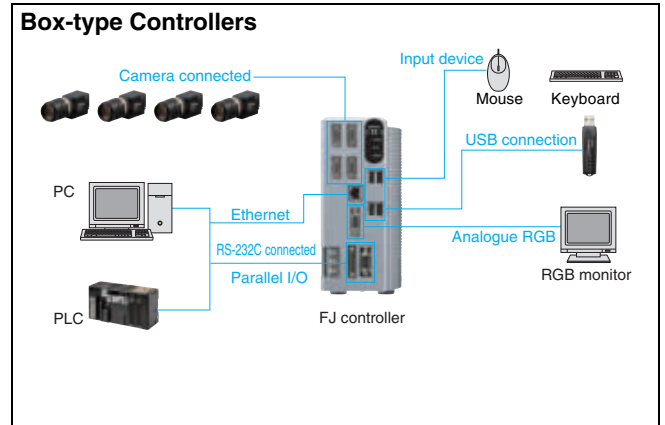
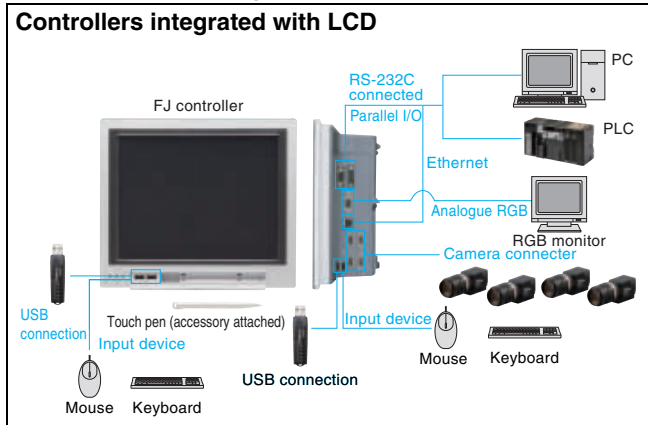
Xpectia FJ Vision System

- Customisable Xpectia Vision System
- Fast drag and drop programming
- Choice of ready-made GUIs
- Highly robust, advanced measurement algorithm
- Proven component compatibility



System configuration

Standard Configuration



For Customization




Development environment Application producer



Sample codes and Development Wizard for easy customization are available.


Ordering Information

Controller



CPU	Type	Dual-task	HALCON installed (See note)	No. of Cameras	Output	Model
Core i5 2.4 GHz  Controller integrated with LCD  Box-type Controller	Controller integrated with LCD	Yes	No	2	NPN	FJ-3000
		Yes	No	4	NPN	FJ-3000-10
		Yes	No	2	PNP	FJ-3005
		Yes	No	4	PNP	FJ-3005-10
		Yes	Yes	2	NPN	FJ-H3000
		Yes	Yes	4	NPN	FJ-H3000-10
		Yes	Yes	2	PNP	FJ-H3005
		Yes	Yes	4	PNP	FJ-H3005-10
	Box-type Controller	Yes	No	2	NPN	FJ-3050
		Yes	No	4	NPN	FJ-3050-10
		Yes	No	2	PNP	FJ-3055
		Yes	No	4	PNP	FJ-3055-10
		Yes	Yes	2	NPN	FJ-H3050
		Yes	Yes	4	NPN	FJ-H3050-10
		Yes	Yes	2	PNP	FJ-H3055
		Yes	Yes	4	PNP	FJ-H3055-10
Atom 1.6 GHz  Box-type Controller	Box-type Controller	No	No	2	NPN	FJ-350
		No	No	4	NPN	FJ-350-10
		No	No	2	PNP	FJ-355
		No	No	4	PNP	FJ-355-10

Note: HALCON runtime license has been installed. The development of HALCON requires HDevelop.







Development Environment

Type	Model	Operating environment
Application Producer 	FJ-AP1	<ul style="list-style-type: none"> · CPU: Intel Pentium Processor (SSE2 or higher) · OS: Windows XP Professional (32bit) Service pack 3 or later, or Windows 7 Professional (32bit) or Enterprise (32bit) or Ultimate (32bit) · .NET Framework: .NET Framework 3.5 or higher · Memory: At least 2 GB RAM · Available disk space: At least 2 GB · Browser: Microsoft® Internet Explorer 6.0 or later · Display: XGA (1024×768), True Color (32-bit) or higher · Optical drive: CD/DVD drive · The following software is required to customize the software: Microsoft® Visual Studio® 2010 Professional









Cameras

Appearance	Type	Model	Remarks	
	Digital Cameras	300,000-pixels	Color FZ-SC	Lens required
			Monochrome FZ-S	
	Digital Cameras	2 million pixels	Color FZ-SC2M	
			Monochrome FZ-S2M	
	Digital Cameras	5 million pixels	Color FZ-SC5M2	
			Monochrome FZ-S5M2	
	Small Digital Cameras	300,000-pixel flat type	Color FZ-SFC	Lens for small cameras required
			Monochrome FZ-SF	
	Small Digital Cameras	300,000-pixel pen type	Color FZ-SPC	
			Monochrome FZ-SP	
	High-speed Cameras	300,000-pixels	Color FZ-SHC	Lens required
			Monochrome FZ-SH	
	Intelligent Compact Cameras	Wide View (Long-distance)	Color FZ-SQ100F	Camera + Lens + High-power Lighting
		Wide View (Short-distance)	Color FZ-SQ100N	
		Standard	Color FZ-SQ050F	
		Narrow View	Color FZ-SQ010F	
	Intelligent Cameras	Wide field of vision	Color FZ-SLC100	Camera + Zoom, Autofocus Lens + Intelligent Lighting
		Narrow field of vision	Color FZ-SLC15	
	Autofocus Cameras	Wide field of vision	Color FZ-SZC100	Camera + Zoom, Autofocus Lens
		Narrow field of vision	Color FZ-SZC15	

Cameras Peripheral Devices

Appearance	Type		Model	Remarks
	CCTV Lenses		3Z4S-LE Series	-
	Extension Tubes			
	Low-distortion Lenses		FZ-LEH5/LEH8/LEH12/LEH16/LEH25/LEH35/LEH50/LEH75/LEH100	Low distortion lens for 2-million and 5-million Pixel Cameras
	Lenses for Small Camera		FZ-LES3/LES6/LES16/LES30	Lens for 300,000-pixel Small Cameras
	Extension Tubes for Small Camera		FZ-LESR	Extension Tubes for 300,000-pixel Small Cameras
	Intelligent Camera Diffusion Plate	Wide field of vision	FZ-SLC100-DL	-
		Narrow field of vision	FZ-SLC15-DL	
	Halation cut illumination		FZ-SXCRB7018BR-4S	Integrated unit combining special Halation cut illumination, strobe controller and camera (without lens)
			FZ-LTCRB7018BR-4S	Integrated unit combining special Halation cut illumination and strobe controller
			FZ-LTRB7018BR-4S	Special Halation cut illumination only
	For Intelligent Compact Camera	Mounting brackets	FQ-XL/XL2	-
		Polarizing Filter Attachment	FQ-XF1	

Cables

Appearance	Type	Cable length:	Model	Remarks
	Camera Cable	2 m, 5 m, 10 m (See note 2)	FZ-VS	-
	Bend resistant Camera Cables	2 m, 5 m, 10 m (See note 3)	FZ-VSB	
	Right-angle Camera Cable (See note 1)	2 m, 5 m, 10 m (See note 2)	FZ-VSL	
	Long-distance Camera Cable	15 m (See note 4)	FZ-VS2	
	Long-distance Right-angle Camera Cable	15 m (See note 4)	FZ-VSL2	
	Cable Extension Unit	Maximum cable length: 45 m (Up to two Extension Units and three Cables can be connected.) (See note 5)	FZ-VSJ	
	Monitor Cable	2 m, 5 m	FZ-VM	
	Parallel Cable	2 m, 5 m	FZ-VP	
		2 m, 5 m, Connector-type	FZ-VPX (See note 6)	

Note: 1. This Cable has an L-shaped connector on the Camera end.

2. The 10-m Cable cannot be used for the Intelligent Camera, Autofocus Camera and 5-million pixel camera.








3. The 10-m Cable cannot be used for the Intelligent Camera, Autofocus Camera, 2-million pixel camera and 5-million pixel camera.

4. The 15-m Cable cannot be used for the Intelligent Camera, Autofocus Camera and 5-million pixel camera.

5. Maximum cable length depends on type of camera and cable length to connect. For details, refer to "Cameras / Cables Connection Table" on page 7.





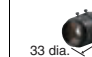



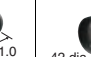
6. Connector-Terminal Block Conversion Units can be connected (Recommended Products: OMRON XW2B-50G4/50G5, XE2D-50G6).

Peripheral Devices

Appearance	Type		Model	Remarks	
	LCD Monitor		FZ-M08	For box-type controller	
	USB Memory		FZ-MEM1G	Capacity: 1 GB	
	VESA attachment		FZ-VESA	For installing the controller integrated with LCD	
	Desktop controller stand		FZ-DS	For installing the controller integrated with LCD	
	Lighting Controller	For FL-Series	FL-TCC1	Required to control external lighting from a Controller	
	Strobe Controller	For 3Z4S-LT Series	One channel		Manufactured by MORITEX Corporation 3Z4S-LT MLEK-C100E1TS2
	Strobe Controller	For FZ-LT Series	One channel		FZ-LTA100
			Two channels		FZ-LTA200
—	Adapter for the strobe controller		Manufactured by MORITEX Corporation 3Z4S-LT LBK-003	Required to mount a strobe controller on a 5-million pixel camera when using 3Z4S-LT series	
—	External Lighting		3Z4S-LT Series	—	
			FZ-LT Series		
			FL-Series		

Lenses

High-resolution, Low-distortion Lenses

Model	FZ-LEH5	FZ-LEH8	FZ-LEH12	FZ-LEH16	FZ-LEH25	FZ-LEH35	FZ-LEH50	FZ-LEH75	FZ-LEH100
Appearance									
Focal length	5mm	8mm	12.5mm	16mm	25mm	35mm	50mm	75mm	100mm
Brightness	F2.8	F1.4	F1.4	F1.4	F1.4	F2	F2.8	F2.5	F2.8
Filter size	M40.5 P0.5	M27.0 P0.5	M27.0 P0.5	M27.0 P0.5	M27.0 P0.5	M27.0 P0.5	M27.0 P0.5	M34.0 P0.5	M40.5 P0.5

The 5-mm Extension Tubes (3Z4S-LE ML-EXR) cannot be used with FZ-LEH25 Lenses.

CCTV Lenses

Model	3Z4S-LE ML-0614	3Z4S-LE ML-0813	3Z4S-LE ML-1214	3Z4S-LE ML-1614	3Z4S-LE ML-2514	3Z4S-LE ML-3519	3Z4S-LE ML-5018	3Z4S-LE ML-7527	3Z4S-LE ML-10035
Appearance									
Focal length	6mm	8mm	12mm	16mm	25mm	35mm	50mm	75mm	100mm
Brightness	F1.4	F1.3	F1.4	F1.4	F1.4	F1.9	F1.8	F2.7	F3.5
Filter size	M27 P0.5	M25.5 P0.5	M27 P0.5	M27 P0.5	M27 P0.5	M27 P0.5	M30.5 P0.5	M30.5 P0.5	M30.5 P0.5

Lenses for small camera

Model	FZ-LES3	FZ-LES6	FZ-LES16	FZ-LES30
Appearance				
Focal length	3mm	6mm	16mm	30mm
Brightness	F2.0	F2.0	F3.4	F3.4

Extension Tubes

Model	3Z4S-LE ML-EXR
Contents	Set of 7 tubes(40 mm, 20 mm, 10 mm, 5 mm, 2.0 mm, 1.0 mm, and 0.5 mm) Maximum outer diameter: 30 mm dia.

Extension Tubes for small camera

Model	FZ-LESR
Contents	Set of 3 tubes(15 mm, 10 mm, 5 mm) Maximum outer diameter: 12 mm dia.

- Do not use the 0.5-mm, 1.0-mm, and 2.0-mm Extension Tubes attached to each other. Since these Extension Tubes are placed over the threaded section of the Lens or other Extension Tube, the connection may loosen when more than one 0.5-mm, 1.0-mm or 2.0-mm Extension Tube are used together.
- Reinforcement may be required for combinations of Extension Tubes exceeding 30 mm if the Camera is subject to vibration.

Ratings and Performance

Controller

Model		NPN Output	FJ-3000	FJ-3000-10	FJ-3050	FJ-3050-10	FJ-H3000	FJ-H3000-10	FJ-H3050	FJ-H3050-10	FJ-350	FJ-350-10	
		PNP Output	FJ-3005	FJ-3005-10	FJ-3055	FJ-3055-10	FJ-H3005	FJ-H3005-10	FJ-H3055	FJ-H3055-10	FJ-355	FJ-355-10	
Controller type		Controller integrated with LCD			Box-type controller		Controller integrated with LCD			Box-type controller		Box-type controller	
No. of cameras		2	4	2	4	2	4	2	4	2	4		
CPU		Intel Core i5-520E Processor 2.40 GHz										Intel Atom N270 Processor 1.6 GHz	
Main memory		3 GB										2 GB	
Storage		Compact Flash 2 GB											
OS		Windows Embedded Standard 2009											
Dual-task		Yes										No	
HALCON installed		No					Yes					No	
Connected camera		Can be connected to all cameras.											
Operation		Controller integrated with LCD: touch pen, mouse, etc. Box-type controller: mouse, etc.											
Processing resolution		Intelligent Compact Camera: 752 (H) × 480 (V) 300,000-pixel camera: 640 (H) × 480 (V) 2-million pixel camera: 1600 (H) × 1200 (V), 5-million pixel camera: 2488 (H) × 2044 (V)											
No. of scenes		32											
Number of logged images	When connected to an Intelligent Compact Camera	Connected to 1 camera	214										
		Connected to 2 cameras	107										
		Connected to 3 cameras	71										
		Connected to 4 cameras	53										
	When connected to a 300,000-pixel camera	Connected to 1 camera	Color camera: 250, Monochrome Camera: 252										
		Connected to 2 cameras	Color camera: 125, Monochrome Camera: 126										
		Connected to 3 cameras	Color camera: 83, Monochrome Camera: 84										
		Connected to 4 cameras	Color camera: 62, Monochrome Camera: 63										
	When connected to a 2 million-pixel camera	Connected to 1 camera	Color camera: 40, Monochrome Camera: 40										
		Connected to 2 cameras	Color camera: 20, Monochrome Camera: 20										
		Connected to 3 cameras	Color camera: 13, Monochrome Camera: 13										
		Connected to 4 cameras	Color camera: 10, Monochrome Camera: 10										
	When connected to a 5 million-pixel camera	Connected to 1 camera	Color camera: 15, Monochrome Camera: 15										
		Connected to 2 cameras	Color camera: 7, Monochrome Camera: 7										
		Connected to 3 cameras	Color camera: 5, Monochrome Camera: 5										
		Connected to 4 cameras	Color camera: 3, Monochrome Camera: 3										
Serial communications		RS-232C/422A: 1CH										RS-232C: 1CH	
Network communications		Ethernet 100BASE-TX/10BASE-T										Ethernet 1000BASE-T/ 100BASE-TX/10BASE-T	
EtherNet/IP		Ethernet port baud rate: 100 Mbps (100BASE-TX)											
Parallel I/O		17 inputs (RESET, STEP0/ENCTRIG_Z0, STEP1/ENCTRIG_Z1, DSA0 to 1, ENCTRIG_A0 to 1, ENCTRIG_B0 to 1, DI0 to 7) 29 outputs (RUN/BUSY1, BUSY0, GATE0 to 1, OR0 to 1, READY0 to 1, ERROR, STGOUT0 to 3*, DO0 to 15)										11 inputs (RESET, STEP, DSA, DI0 to 7) 26 outputs (RUN, BUSY, GATE, OR, READY, ERROR, STGOUT0 to 3*, DO0 to 15)	
Monitor interface		Controller integrated with LCD: integrated controller and LCD 12.1 inch TFT color LCD (Resolution: XGA 1,024 × 768 dots) Box-type controller: Analog RGB video output, 1 channel (Resolution: XGA 1,024 × 768 dots)											
USB interface		4 channels (supports USB 1.1 and 2.0)										2 channels (supports USB 1.1 and 2.0)	
Power supply voltage		20.4 to 26.4 VDC											
Current consumption (at 24.0 VDC)	When connected to an Intelligent Compact Camera, intelligent or autofocus camera	5.0 A max.	7.5 A max.	5.0 A max.	7.5 A max.	5.0 A max.	7.5 A max.	5.0 A max.	7.5 A max.	4.0 A max.	5.5 A max.		
	When connected to a 300,000-pixel, 2 million-pixel, or 5 million-pixel camera	3.7 A max.	4.9 A max.	3.7 A max.	4.9 A max.	3.7 A max.	4.9 A max.	3.7 A max.	4.9 A max.	2.6 A max.	2.9 A max.		
Ambient temperature range		Operating: 0 to +45°C for low cooling fan speeds 0 to +50°C for high cooling fan speeds Storage: -20 to 65°C (with no icing or condensation)										Operating: 0 to 50°C Storage: -20 to 65°C (with no icing or condensation)	
Ambient humidity range		Operating and storage: 35 to 85°C (with no condensation)											
Weight		Approx. 3.4 kg			Approx. 1.9 kg			Approx. 3.4 kg			Approx. 1.9 kg		Approx. 1.8 kg
Accessories		Controller integrated with LCD: touch pen (one, inside the front panel), Instruction Manual, 6 mounting brackets, Member registration sheet Box-type controller: Instruction Manual, Member registration sheet											

* STGOUT 2 to 3 only for camera 4ch type

Digital Cameras

	FZ-S	FZ-SC	FZ-S2M	FZ-SC2M	FZ-S5M2	FZ-SC5M2
Image elements	Interline transfer reading all pixels, 1/3-inch CCD image elements		Interline transfer reading all pixels, 1/1.8-inch CCD image elements		Interline transfer reading all pixels, 2/3-inch CCD image elements	
Color/Monochrome	Monochrome	Color	Monochrome	Color	Monochrome	Color
Effective pixels	640 (H) × 480 (V)		1600 (H) × 1200 (V)		2448 (H) × 2044 (V)	
Pixel size	7.4 (μm) × 7.4 (μm)		4.4 (μm) × 4.4 (μm)		3.45 (μm) × 3.45 (μm)	
Shutter function	Electronic shutter; select shutter speeds from 1/10 to 1/50,000 s		Electronic shutter; select shutter speeds from 1/10 to 1/50,000 s		Electronic shutter; select shutter speeds from 1/10 to 1/50,000 s	
Partial function	12 to 480 lines		12 to 1200 lines		12 to 2044 lines	
Frame rate (image read time)	80 fps (12.5 ms)		30 fps (33.3 ms)		16 fps (62.5 ms)	
Field of vision, installation distance	Selecting a lens according to the field of vision and installation distance					
Ambient temperature range	Operating: 0 to 50°C Storage: -25 to 65°C (with no icing or condensation)		Operating: 0 to 40°C Storage: -25 to 65°C (with no icing or condensation)		Operating: 0 to 40°C Storage: -25 to 65°C (with no icing or condensation)	
Ambient humidity range	Operating and storage: 35% to 85% (with no condensation)					
Weight	Approx. 55 g		Approx. 76 g		Approx. 140 g	
Accessories	Instruction manual					

Small Digital Cameras

	FZ-SF	FZ-SFC	FZ-SP	FZ-SPC
Image elements	Interline transfer reading all pixels, 1/3-inch CCD image elements			
Color/Monochrome	Monochrome	Color	Monochrome	Color
Effective pixels	640 (H) × 480 (V)			
Pixel size	7.4 (μm) × 7.4 (μm)			
Shutter function	Electronic shutter; select shutter speeds from 1/10 to 1/50,000 s			
Partial function	12 to 480 lines			
Frame rate (image read time)	80 fps (12.5 ms)			
Field of vision, installation distance	Selecting a lens according to the field of vision and installation distance			
Ambient temperature range	Operating: 0 to 50°C (camera amp) 0 to 45°C (camera head) Storage: -25 to 65°C (with no icing or condensation)		Operating: 0 to 50°C (camera amp) 0 to 45°C (camera head) Storage: -25 to 65°C (with no icing or condensation)	
Ambient humidity range	Operating and storage: 35% to 85% (with no condensation)		Operating and storage: 35% to 85% (with no condensation)	
Weight	Approx. 150 g		Approx. 150 g	
Accessories	Instruction manual, installation bracket, Four mounting brackets(M2)		Instruction manual	

High-speed Cameras

	FZ-SH	FZ-SHC
Image elements	Interline transfer reading all pixels, 1/3-inch CCD image elements	
Color/Monochrome	Monochrome	Color
Effective pixels	640 (H) × 480 (V)	
Pixel size	7.4 (μm) × 7.4 (μm)	
Shutter function	Electronic shutter; select shutter speeds from 1/10 to 1/50,000 s	
Partial function	12 to 480 lines	
Frame rate (image read time)	204 fps (4.9 ms)	
Field of vision, installation distance	Selecting a lens according to the field of vision and installation distance	
Ambient temperature range	Operating: 0 to 40°C Storage: -25 to 65°C (with no icing or condensation)	
Ambient humidity range	Operating and storage: 35% to 85% (with no condensation)	
Weight	Approx. 105 g	
Accessories	Instruction manual	

Intelligent Compact Cameras

	FZ-SQ010F	FZ-SQ050F	FZ-SQ100F	FZ-SQ100N
Image elements	1/3-inch CMOS image elements			
Color/Monochrome	Color			
Effective pixels	752 (H) × 480 (V)			
Pixel size	6.0 (μm) × 6.0 (μm)			
Shutter function	1/250 to 1/32,258			
Partial function	8 to 752 lines			
Frame rate (image read time)	60 fps			
Field of vision	7.5 × 4.7 to 13 × 8.2 mm	13 × 8.2 to 53 × 33 mm	53 × 33 to 240 × 153 mm	29 × 18 to 300 × 191 mm
Installation distance	38 to 60 mm	56 to 215 mm	220 to 970 mm	32 to 380 mm
LED class	Class 2			
Ambient temperature range	Operating: 0 to 50°C Storage: -25 to 65°C			
Ambient humidity range	Operating and storage: 35% to 85% (with no condensation)			
Weight	Approx. 150 g		Approx. 140 g	
Accessories	Mounting bracket (FQ-XL), polarizing filter attachment (FQ-XF1), instruction manual and warning label			

Intelligent Cameras, Autofocus Cameras

	FZ-SLC100	FZ-SLC15	FZ-SZC100	FZ-SZC15
Image elements	Interline transfer reading all pixels, 1/3-inch CCD image elements			
Color/Monochrome	Color			
Effective pixels	640 (H) × 480 (V)			
Pixel size	7.4 (μm) × 7.4 (μm)			
Shutter function	Electronic shutter; select shutter speeds from 1/10 to 1/50,000 s			
Partial function	12 to 480 lines			
Frame rate (image read time)	80 fps (12.5ms)			
Field of vision (See note 2.)	13 to 100 mm (See note1.)	2.9 to 14.9 mm (See note1.)	13 to 100 mm (See note1.)	2.9 to 14.9 mm (See note1.)
Installation distance	70 to 190 mm (See note1.)	35 to 55 mm (See note1.)	77.5 to 197.5 mm (See note1.)	47.5 to 67.5 mm
LED class (See note 3.) (lighting)	Class 2			
Ambient temperature range	Operating: 0 to 50°C Storage: -25 to 65°C (with no icing or condensation)			
Ambient humidity range	Operating and storage: 35% to 85% (with no condensation)			
Weight	Approx. 670 g	Approx. 700 g	Approx. 500 g	
Accessories	Instruction Sheet and hexagonal wrench			

Note: 1. Tolerance: ±5% max.
2. The length of the visual field is the lengths along the Y axis.
3. Applicable standards: IEC 60825-1: 1993 + A1: 1997 + A2-2001, EN 60825-1: 1994 + A1: 2002 + A2: 2001

LCD Monitor

	FZ-M08
Size	8.4 inches
Type	Liquid crystal color TFT
Resolution	1,024 × 768 dots
Input signal	Analog RGB video input, 1 channel
Power supply voltage	21.6 to 26.4 VDC
Current consumption	Approx. 0.7 A max.
Ambient temperature range	Operating: 0 to 50°C Storage: -25 to 65°C (with no icing or condensation)
Ambient humidity range	Operating and storage: 35 to 85% (with no condensation)
Weight	Approx. 1.2 kg
Accessories	Instruction Sheet and 4 mounting brackets

Camera Cables

	FZ-VS (2 m)	FZ-VSB (2 m)	FZ-VSL (2 m)
Shock resistiveness (durability)	10 to 150 Hz single amplitude 0.15 mm 3 directions, 8 strokes, 4 times		
Ambient temperature range	Operation and storage: 0 to +65°C (with no icing or condensation)		
Ambient humidity range	Operation and storage: 40 to 70%RH (with no condensation)		
Ambient atmosphere	No corrosive gases		
Material	Cable sheath, connector: PVC		
Minimum bending radius	69 mm	81 mm	69 mm
Weight	approx. 170 g	approx. 220 g	approx. 170 g

Monitor Cable

	FZ-VM
Vibration resistiveness	10 to 150 Hz single amplitude 0.15 mm 3 directions, 8 strokes, 4 times
Ambient temperature range	Operation: 0 to +50°C; Storage: -20 to +65°C (with no icing or condensation)
Ambient humidity range	Operation and storage: 35 to 85%RH (with no condensation)
Ambient atmosphere	No corrosive gases
Material	Cable sheath: heat-resistant PVC Connector: PVC
Minimum bending radius	75 mm
Weight	approx. 170 g

Halation Cut Illumination

General specifications

	FZ-SXC RB7018BR-4S	FZ-LTC RB7018BR-4S	FZ-LT RB7018BR-4S
Current consumption	18 W or less (12 VDC, 1.5 A max.) (including camera and strobe controller)		
Vibration resistance	10 to 150 Hz single amplitude 0.35 mm (maximum acceleration 50m/s ²) 3 directions, 8 strokes, 10 times		
Impact resistance	150m/s ² 6 directions, 3 times		
Ambient temperature	Operating: 0 to 50°C Storage: -25 to 60°C (with no icing or condensation)		
Ambient humidity	Operation and storage: 35 to 85%RH (with no condensation)		
Ambient atmosphere	No corrosive gases		
Protective structure	IEC60259 IP20		
Material	Case: zinc-coated steel plate Cover: acrylic board Clasp: stainless steel plate		
Weight including cables	Approx. 600 g	Approx. 500 g	Approx. 400 g

Cameras / Cables Connection Table

Type of camera	Model	Cable length	Intelligent cameras Autofocus cameras	High-speed cameras	Digital cameras			Small digital cameras Pen type / flat type	Intelligent compact cameras
					300,000-pixel	2 million-pixel	5 million-pixel		
Camera Cables Right-angle camera cables	FZ-VS FZ-VSL	2m	Yes	Yes	Yes	Yes	Yes	Yes	Yes
		5m	Yes	Yes	Yes	Yes	Yes	Yes	Yes
		10m	No	Yes	Yes	Yes	No	Yes	Yes
Bend resistant camera cables	FZ-VSB	2m	Yes	Yes	Yes	Yes	Yes	Yes	Yes
		5m	Yes	Yes	Yes	Yes	Yes	Yes	Yes
		10m	No	Yes	Yes	Yes	No	Yes	Yes
Long-distance camera cable Long-distance right-angle camera cable	FZ-VS2 FZ-VSL2	15m	No	Yes	Yes	Yes	No	Yes	Yes

Cable Extension Unit

	FZ-VSJ
Power supply voltage (See note 1.)	11.5 to 13.5 VDC
Current consumption (See note 2.)	1.5 A max.
Ambient temperature range	Operating: 0 to 50°C Storage: -25 to 65°C (with no icing or condensation)
Ambient humidity range	Operating and storage: 35 to 85% (with no condensation)
Maximum Units connectable	2 Units per Camera
Weight	Approx. 240 g
Accessories	Instruction Sheet and 4 mounting screws

- Note:**
1. A power supply must be connected to the Strobe Controller and Camera when connecting a FZ-SLC100/SLC15/SZC100/SZC15 and using a Strobe Controller (3Z4S-LT MLEK-C100E1TS2.)
 2. The current consumption is when every Camera and Strobe Controller is connected to a power supply.

Long-distance Camera Cables

	FZ-VS2 (15 m)	FZ-VSL2 (15 m)
Shock resistiveness (durability)	10 to 150 Hz single amplitude 0.15 mm 3 directions, 8 strokes, 4 times	
Ambient temperature range	Operation and storage: 0 to +65°C (with no icing or condensation)	
Ambient humidity range	Operation and storage: 40 to 70%RH (with no condensation)	
Ambient atmosphere	No corrosive gases	
Material	Cable sheath, connector: PVC	
Minimum bending radius	93 mm	
Weight	approx. 1600 g	

Parallel Cable

	FZ-VP	FZ-VPX
Vibration resistiveness	10 to 150 Hz single amplitude 0.15 mm 3 directions, 8 strokes, 4 times	
Ambient temperature range	Operation: 0 to +50°C; Storage: -20 to +65°C (with no icing or condensation)	
Ambient humidity range	Operation and storage: 35 to 85%RH (with no condensation)	
Ambient atmosphere	No corrosive gases	
Material	Cable sheath: heat-resistant PVC Connector: resin	
Minimum bending radius	75 mm	
Weight	approx. 160 g	approx. 180 g

Illumination specifications

	Specifications
Source	Blue LED (wavelength: Approx. 470 nm) Red LED (wavelength: 630 nma)
Illumination system	8 blocks luminous intensity variable illumination
Average lifetime	5,000 hours (Time it takes from manufacture for a 50% reduction in luminous intensity at an ambient temperature of 25°C, maximum brightness, and continuous illumination.)


































Processing Items

*The red items are available only with controllers with HALCON.

Group	Icon	Processing Item	
Inspections / Measurement		Search	Used to identify the shapes and calculate the position of measurement objects.
		Flexible Search	Recognizing the shapes of workpieces with variation and detecting their positions.
		Sensitive Search	Search a small difference by dividing the search model in detail, and calculating the correlation.
		ECM Search	Used to search the similar part of model form input image. Detect the evaluation value and position.
		Ec Circle Search	Extract circles using "round " shape information and get position, radius and quantity in high preciseness.
		Shape Search+	Used to Search the similar part of models from input image. Detect the evaluation value and position.
		Classification	Used when various kinds of products on the assembly line need to be sorted and identified.
		Edge Position	Measure position of measurement objects according to the color change in measurement area.
		Edge Pitch	Detect edges by color change in measurement area. Used for calculating number of pins of IC and connectors.
		Scan Edge Position	Measure peak/bottom edge position of workpieces according to the color change in separated measurement area.
		Scan Edge Width	Measure max/min/average width of workpieces according to the color change in separated measurement area.
		Color Data	Used for detecting presence and mixed varieties of products by using color average and deviation.
		Gravity and Area	Used to measure area, center of gravity of workpieces by extracting the color to be measured.
		Labeling	Used to measure number, area and gravity of workpieces by extracting registered color.
		Label Data	Selecting one region of extracted Labeling, and get that measurement. Area and Gravity position can be got and judged.
		Labeling+	Extract objects of registered color, and measure many features such as number and circularity.
		Defect	Used for appearance measurement of plain-color measurement objects such as defects, stains and burrs.
		PreciseDefect	Check the defect on the object. Parameters for extraction defect can be set precisely.
		Fine Matching	Difference can be detected by overlapping and comparing(matching) registered fine images with input images.
		Character Inspection	Recognize character according correlation search with model image registered in [Model Dictionary].
		Date Verification	Reading character string is verified with internal date.
		Model Dictionary	Register character pattern as dictionary. The pattern is used in [Character Inspection].
		Barcode+ (See note 1)	Recognize barcode, verify and output decoded characters.
		2DCode+ (See note 2)	Recognize 2D code, verify and output decoded characters.
		Circle Angle	Used for calculating angle of inclination of circular measurement objects.
	Image Capturing		Camera Image Input
		Camera Image Input HDR	Create high-dynamic range images by acquiring several images with different conditions.
		Camera Image Input HDR Lite	HDR function for FZ-SQ□ Intelligent Compact Cameras.
		Camera Switching	To switch the cameras used for measurement. Not input images from cameras again.
		Measurement Image Switching	To switch the images used for measurement. Not input images from camera again.
Correcting images		Position Compensation	Used when positions are differed. Correct measurement is performed by correcting position of input images.
		Trapezoidal Correction+	Rectify the trapezoidal deformed image.
		Filtering	Used for processing images input from cameras in order to make them easier to be measured.

Note: 1. Bar Codes that can be read : JAN/EAN/UPC (including add-on codes), Code 39, Codabar (NW-7), ITF (Interleaved 2 of 5), Code 93, Code 128, GS1-128, GS1 DataBar (RSS-14 / RSS Limited / RSS Expanded), Pharmacode
2. 2D Codes that can be read : Data Matrix (ECC200), QR Code

*The red items are available only with controllers with HALCON.

Group	Icon	Processing Item	
Correcting images		Background Suppression	To enhance contrast of images by extracting color in specified brightness.
		Color Gray Filter	Color image is converted into monochrome images to emphasize specific color.
		Extract Color Filter	Convert color image to color extracted image or binary image.
		Anti Color Shading	To remove the irregular color/pattern by uniformizing max.2 specified colors.
		Stripes Removal Filter+	Remove the background pattern of stripes.
		Halation Cut+	Remove halation from input image.
		Panorama+	Combine multiple image to create one big image.
		Polar Transformation	Rectify the image by polar transformation. Useful for OCR or pattern inspection printed on circle.
Assisting inspections / measurement		Macro	Advanced arithmetic processing can be easily incorporated into workflow as macro processing items.
		Calculation	Used when using the judge results and measured values of Procltem which are registered in processing units.
		Line Regression	Used for calculating regression line from plural measurement coordinate.
		Circle Regression	Used for calculating regression circle from plural measurement coordinate.
		Calibration+	Transform (X,Y) position to the real coordinate system.
		Set Unit Data	Used to change the Procltem data (setting parameters,etc.) that has been set up in a scene.
		Get Unit Data	Used to get one data (measured results, setting parameters,etc.) of Procltem that has been set up in a scene.
		Set Unit Figure	Used for re-setting the figure data (model, measurement area) registered in an unit.
		Get Unit Figure	Used for get the figure data (model, measurement area) registered in an unit.
		Trend Monitor	Used for displaying the information about results on the monitor, facilitating to avoid NG and analyze causes.
		Image Logging	Used for saving the measurement images to the memory and USB memory.
		Data Logging	Used for saving the measurement data to the memory and USB memory.
		Elapsed Time	Used for calculating the elapsed time since the measurement trigger input.
		Wait	Processing is stopped only at the set time. The standby time is set by the unit of [ms].
		Focus	Focus setting is supported.
		Iris	Focus and aperture setting is supported.
Branching processing		Conditional Branch	Used where more than two kinds of products on the production line need to detected separately.
		End	This Procltem must be set up as the last processing unit of a branch.
		DI Branch	Same as Procltem "Branch". But you can change the targets of conditional branching via external inputs.
Outputting results		Data Output	Used when you need to output data to the external devices such as PLC or PC via serial ports.
		Parallel Data Output	Used when you need to output data to the external devices such as PLC or PC via parallel ports.
		Parallel Judgement Output	Used when you need to output judgement results to the external devices such as PLC or PC via parallel ports.
		Fieldbus Data Output	Outputs data to an external device, such as a Programmable Controller, through a fieldbus interface.
Displaying results on the monitor		Result Display	Used for displaying the texts or the figures in the camera image .
		Display Image File	Display selected image file.
		Display Last NG Image	Display the last NG images.

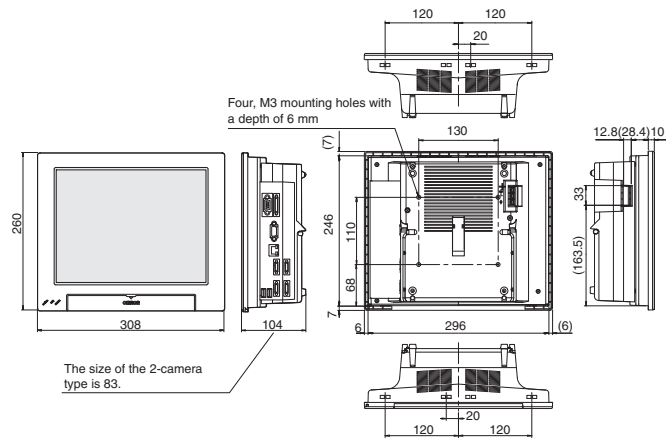
External Dimensions

Controllers

■ LCD-integrated type

FJ-300□/FJ-300□-10

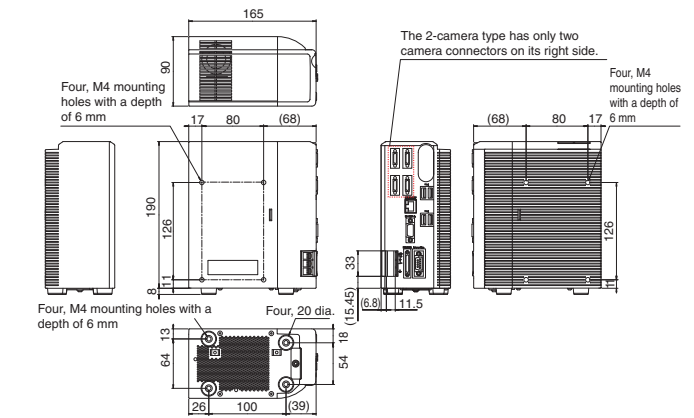
FJ-H300□/FJ-H300□-10



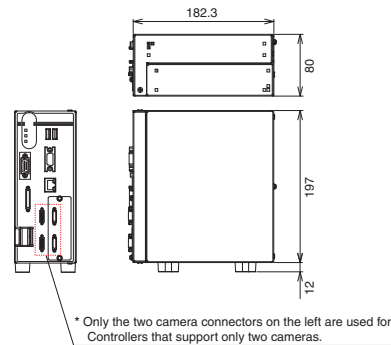
■ Box-type

FJ-305□/FJ-305□-10

FJ-H305□/FJ-H305□-10

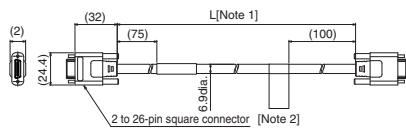


FJ-35□/FJ-35□-10

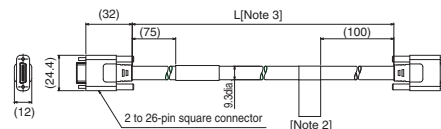


Cable Camera Cable

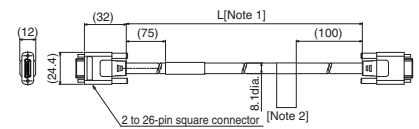
■ Camera Cable(Model FZ-VS)



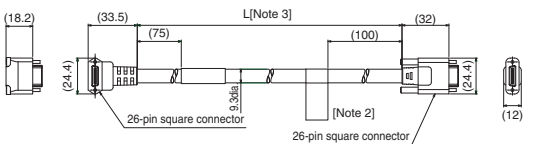
■ Long-distance Camera Cable(Model FZ-VS2)



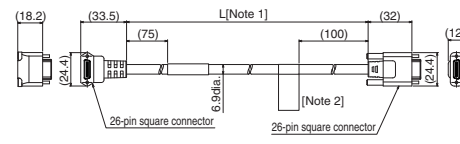
■ Bend resistant Cable(Model FZ-VSB)



■ Long-distance Right-angle Camera Cable(Model FZ-VSL2)



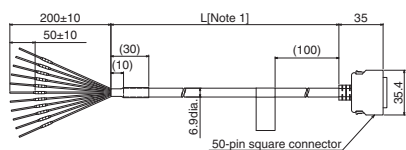
■ Right-angle Camera Cable(Model FZ-VSL)



[Note1]:cable is available in 2m/5m/10m.
 [Note2]:Each camera cables has polarity. Please ensure that the name plate side of the cable is connected to the controller.
 [Note3]:cable is available in 15m.

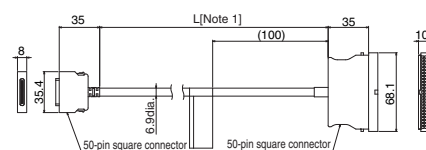
Parallel Cable(Model FZ-VP)

FZ-VP



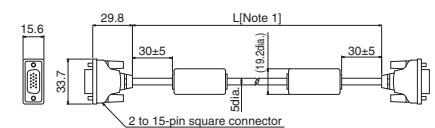
[Note1]:cable is available in 2m/5m.

FZ-VPX



[Note1]:cable is available in 2m/5m.

Monitor Cable(Model FZ-VM)

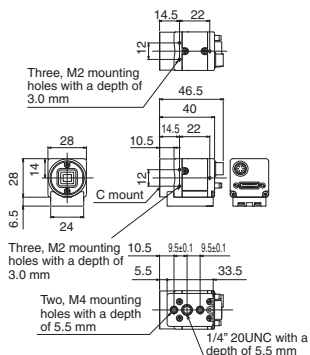


[Note1]: cable is available in 2m/5m.

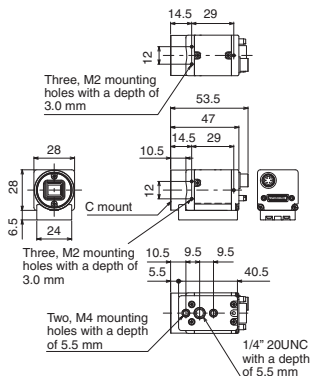
Cameras

■ Digital cameras

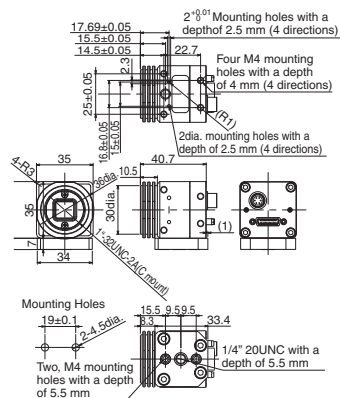
300,000-pixel camera
FZ-S
FZ-SC



2 million-pixel camera
FZ-S2M
FZ-SC2M

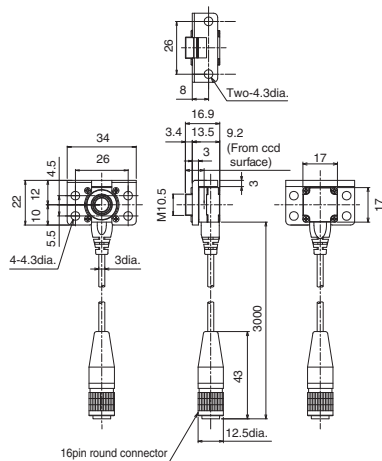


5 million-pixel camera
FZ-S5M2
FZ-SC5M2

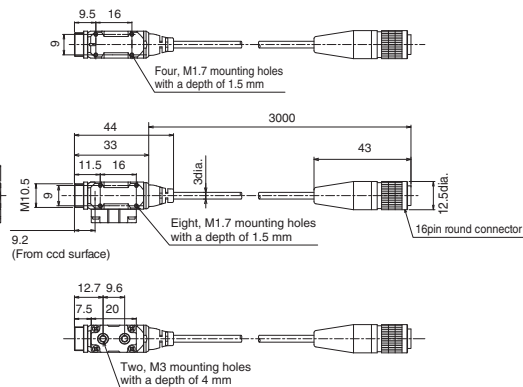


■ Small digital cameras

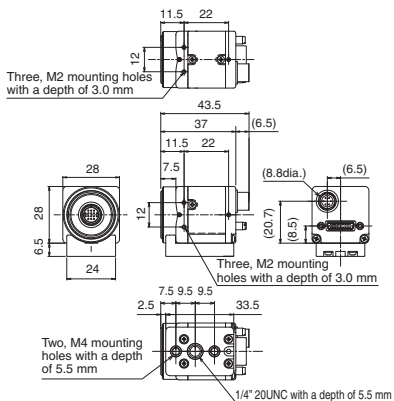
Camera head
Flat camera
FZ-SF
FZ-SFC



Pen-shaped camera
FZ-SP
FZ-SPC

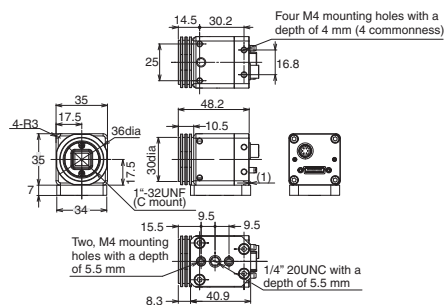


Camera amplifier
 Can be used for both flat cameras and pen-shaped cameras



■ High speed camera

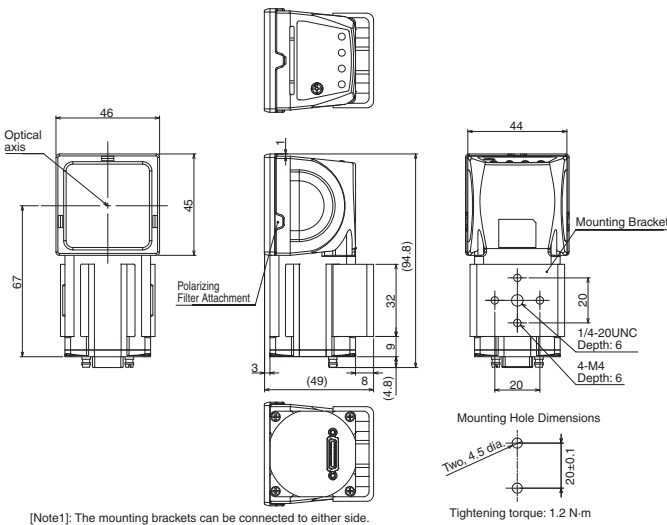
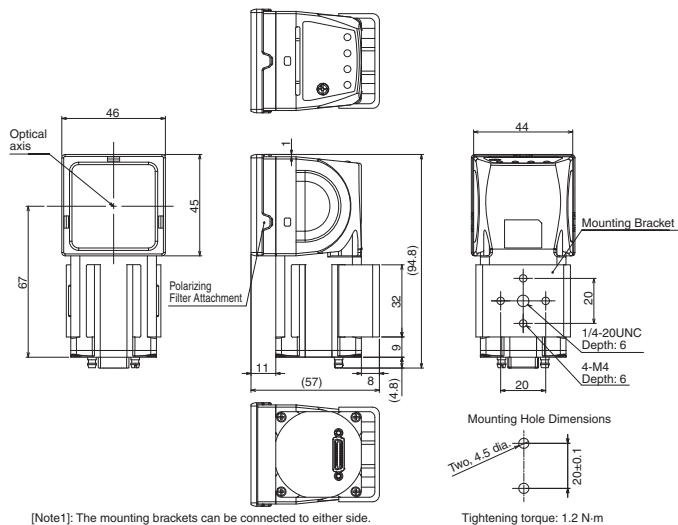
FZ-SHC
FZ-SH



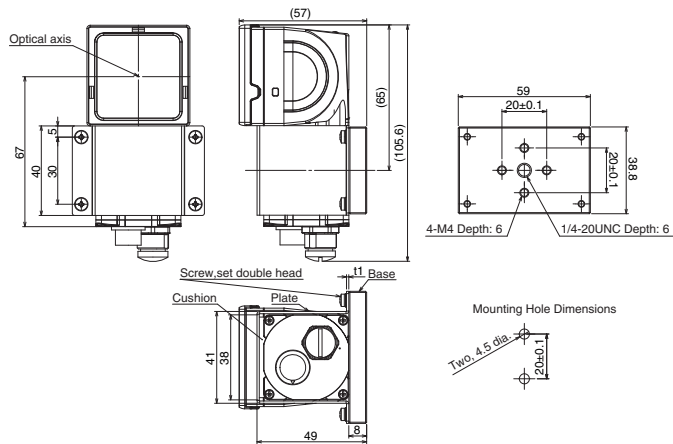
■ Intelligent Compact Cameras

Narrow view / Standard
FZ-SQ010F
FZ-SQ050F

Wide View
FZ-SQ100F (long-distance)
FZ-SQ100N (short-distance)



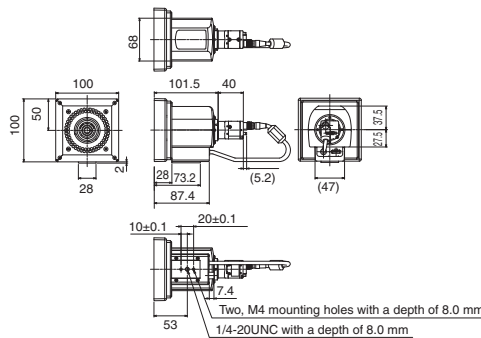
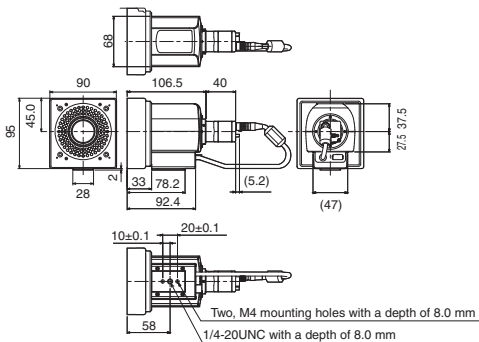
See the diagram below when mounting bracket FQ-XL2 is attached.



■ Intelligent camera

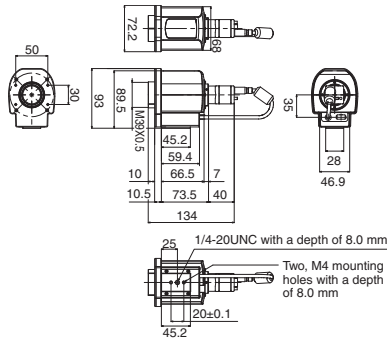
FZ-SLC15

FZ-SLC100

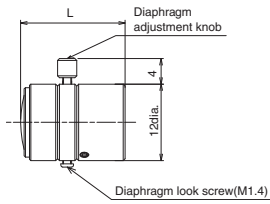


■ Auto focus camera

FZ-SZC15
FZ-SZC100

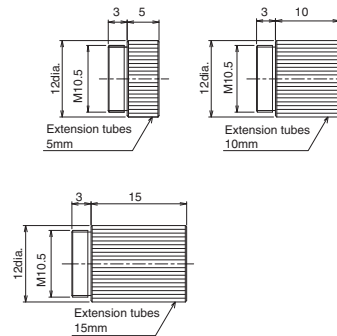


Lens for small camera
FZ-LES Series

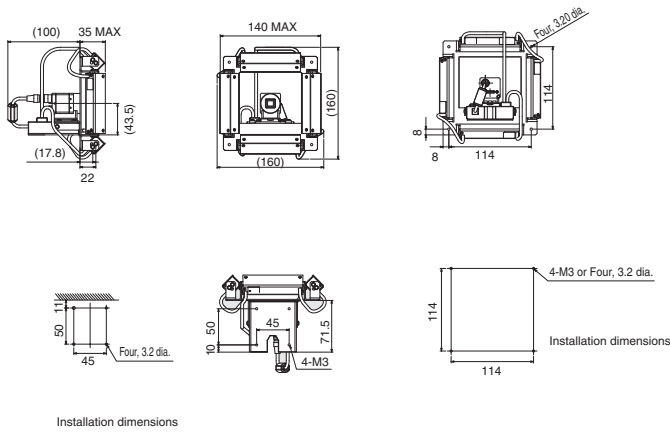


LensesModel	Focal length	Brightness	Maximum outside diameter	Overall length
FZ-LES3	3mm	F2.0	12 dia.	16.4mm
FZ-LES6	6mm	F2.0	12 dia.	19.7mm
FZ-LES16	16mm	F3.4	12 dia.	23.1mm
FZ-LES30	30mm	F3.4	12 dia.	25.5mm

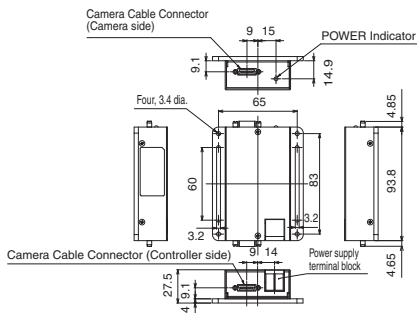
Extension Tubes for small camera
FZ-LESR



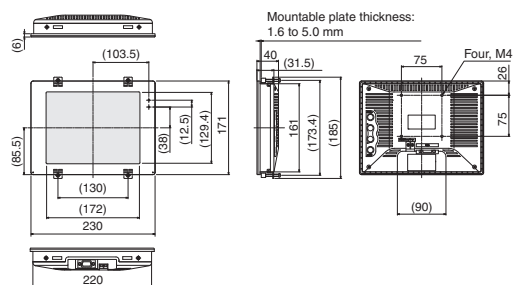
Special Halation-cutoff Lamp
FZ-SXCRB7018BR-4S (camera-integrated type)



Camera Cable Extension Unit
FZ-VSJ

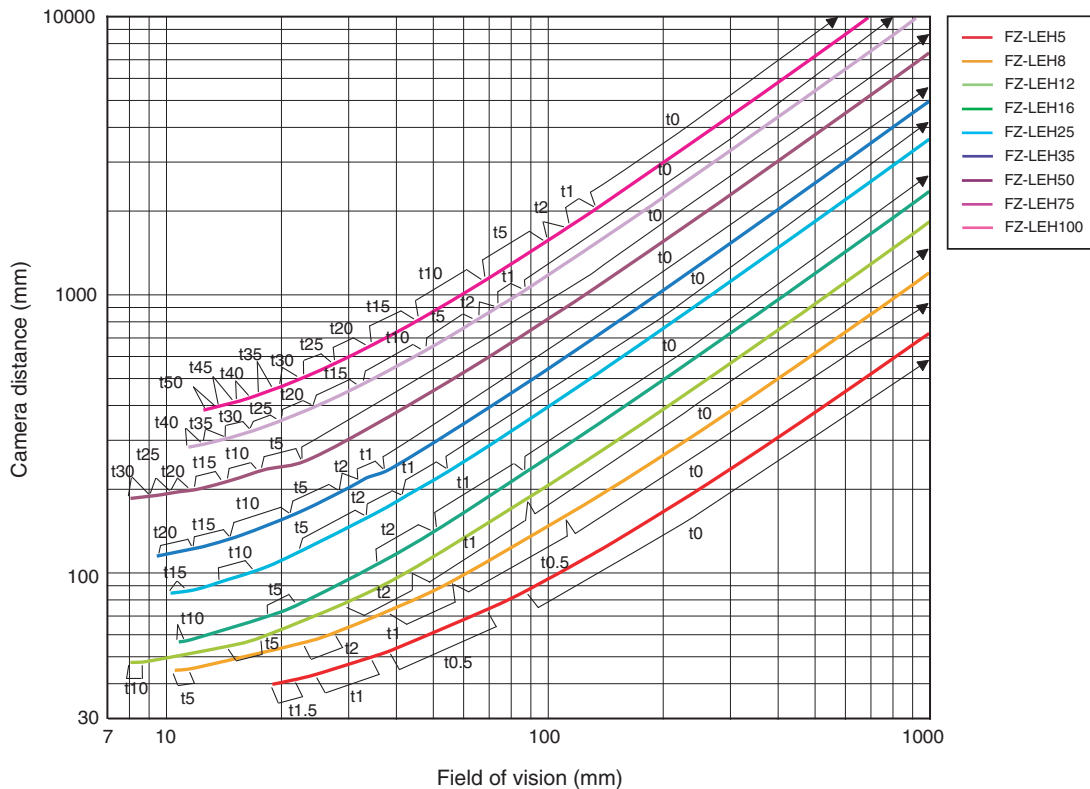


LCD Monitor
FZ-M08



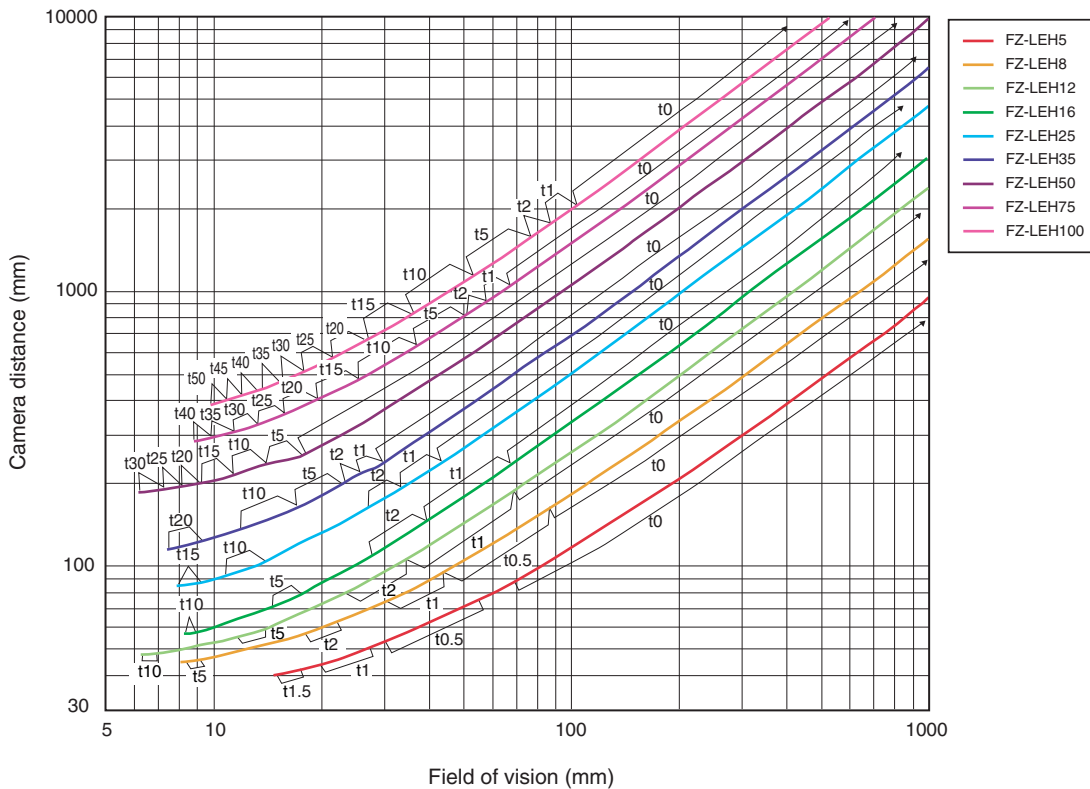
Optical Chart

5 million-pixel digital camera FZ-S□5M2



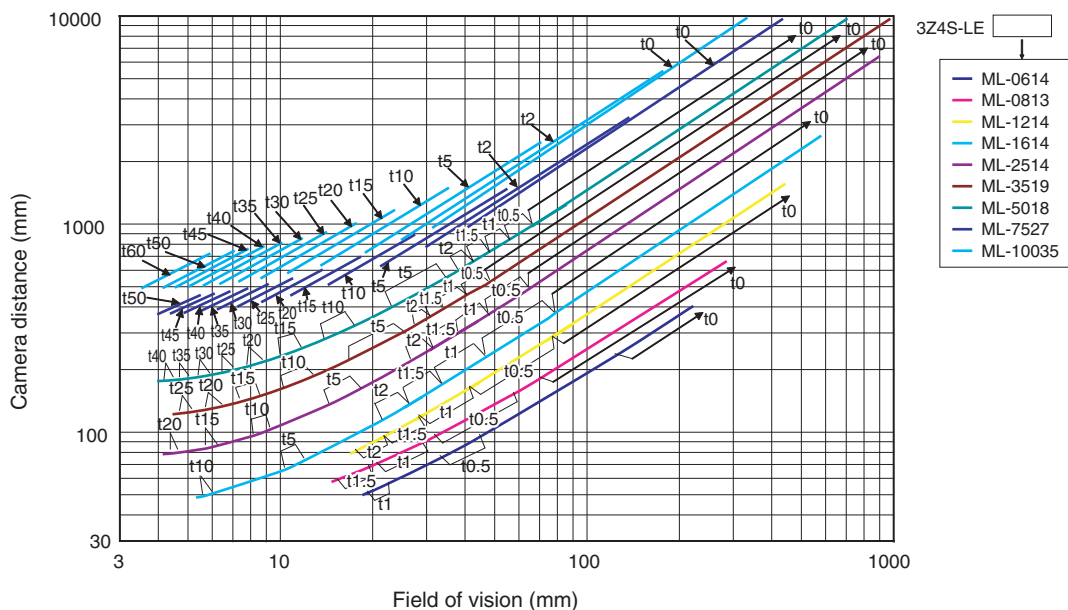
The 5-mm Extension Tubes (3Z4S-LE ML-EXR) cannot be used with FZ-LEH25 Lenses.

2 million-pixel digital camera FZ-S□2M

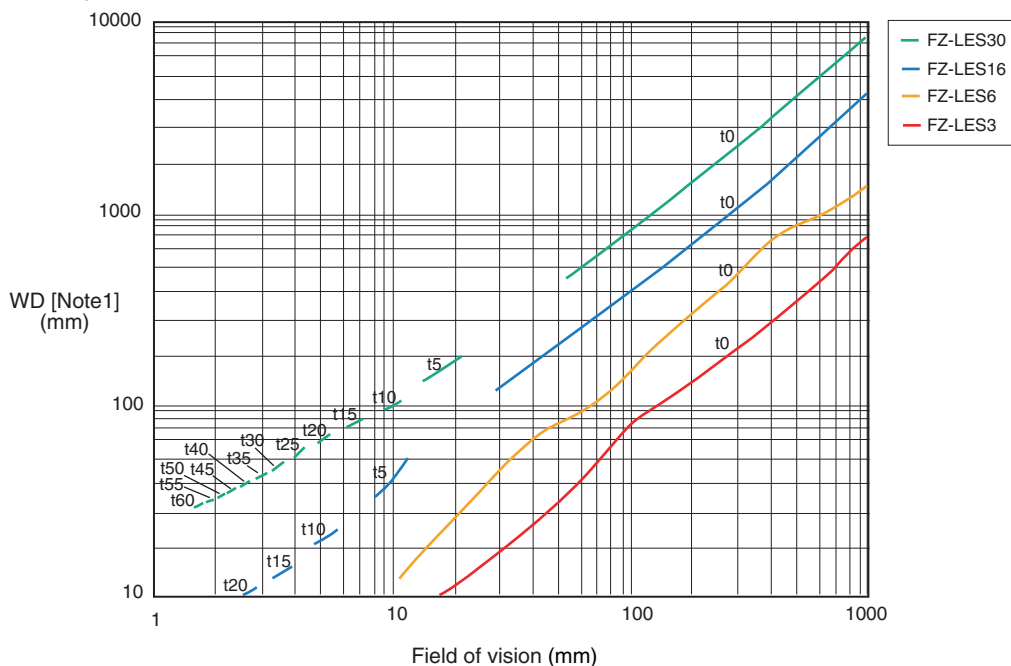


The 5-mm Extension Tubes (3Z4S-LE ML-EXR) cannot be used with FZ-LEH25 Lenses.

300,000-pixel High-speed camera FZ-SH□, and Digital camera FZ-S□



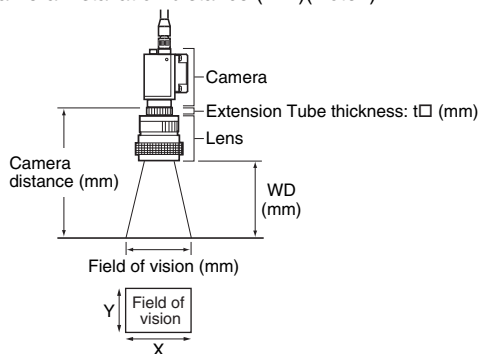
300,000-pixel small digital cameras FZ-SF□, FZ-SP□



Note: 1. The vertical axis represents WD, not installation distance.

■ Meaning of Optical Chart

The X axis of the optical chart shows the field of vision (mm)(Note1), and the Y axis of the optical chart shows the camera installation distance (mm)(Note2).



Note: 1. The lengths of the fields of vision given in the optical charts are the lengths of the Y axis.
 2. The vertical axis represents WD for small cameras.

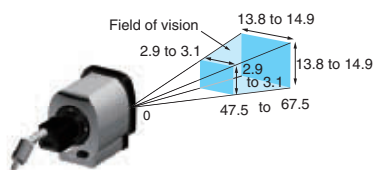
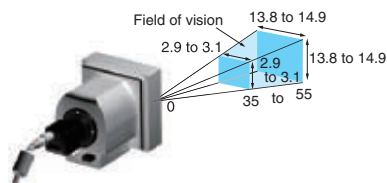
Intelligent Cameras, Autofocus Cameras

■ Narrow View

(Unit: mm)

FZ-SLC15

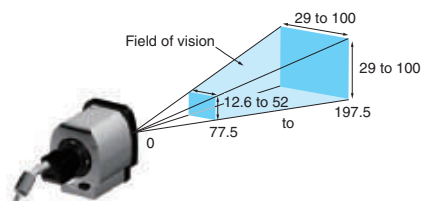
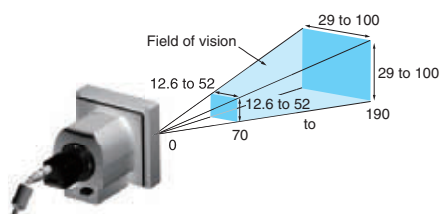
FZ-SZC15



■ Wide View

FZ-SLC100

FZ-SZC100



* Field of Vision of Intelligent Cameras and Autofocus Cameras

The images displayed on the monitor will be rectangular images of 640×480 pixels. The valid processing area for measurements is the 480×480-pixel area in the middle. The above figures show the dimensions of the middle 480×480 pixels.

Intelligent Compact Cameras

■ Narrow View

■ Standard

■ Wide View (Long-distance)

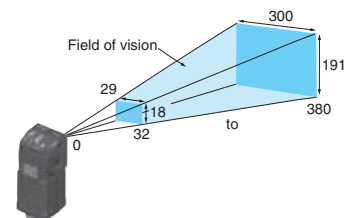
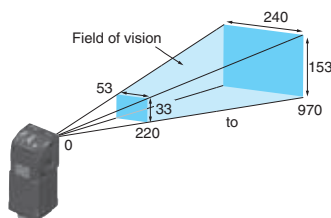
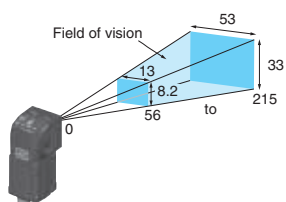
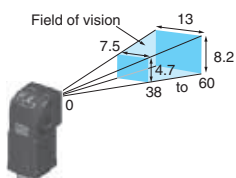
■ Wide View (Short-distance)

FZ-SQ010F

FZ-SQ050F

FZ-SQ100F

FZ-SQ100N



ALL DIMENSIONS SHOWN ARE IN MILLIMETERS.

To convert millimeters into inches, multiply by 0.03937. To convert grams into ounces, multiply by 0.03527.

Below is a list of articles with direct links to our shop Electric Automation Network where you can see:

- Quote per purchase volume in real time.
- Online documentation and datasheets of all products.
- Estimated delivery time enquiry in real time.
- Logistics systems for the shipment of materials almost anywhere in the world.
- Purchasing management, order record and tracking of shipments.

To access the product, [click on the green button.](#)

Product	Code	Reference	Product link
Control system, connector block 50 points E / S M2.5	105351	XW2B-50G4	Buy on EAN
Vision System, polarizer filter CF.	337800	FQ-XF1	Buy on EAN
Vision System, Standard Color Camera FOV: 29x18-300x191 Dist: 32-380	351980	FZ-SQ100N	Buy on EAN
Vision system, high resolution color camera (5MP)	330096	FZ-SC5M2	Buy on EAN
Vision system, Unit Xpectia extension cable.	241486	FZ-VSJ	Buy on EAN
Vision System, miniature camera lens 6mm	254746	FZ-LES6	Buy on EAN
Vision system, standard monochrome miniature camera pen	254744	FZ-SP	Buy on EAN
Vision System, miniature pen Color Camera Standard	254743	FZ-SPC	Buy on EAN
Vision system, standard monochrome camera	372096	FZ-S	Buy on EAN
Vision System, Standard Color Camera	372097	FZ-SC	Buy on EAN
Vision System, Miniature Color Camera Standard	254741	FZ-SFC	Buy on EAN
Vision system, mounting bracket width CF.	372115	FQ-XL2	Buy on EAN
Vision System, Color LCD Monitor	235825	FZ-M08	Buy on EAN
Vision system, high-resolution monochrome camera (2Mp)	375355	FZ-S2M	Buy on EAN
Vision system, high resolution color camera (2Mp)	374930	FZ-SC2M	Buy on EAN

Vision System, Standard Color Camera FOV: 53x33-240x153 Dist: 220-970	351979	FZ-SQ100F	Buy on EAN
Vision System, Standard Color Camera FOV: 7,5x4,7-13x8,2 Dist: 38-60	351977	FZ-SQ010F	Buy on EAN
Vision System, Accessory mount LCD controller FZ panel	241473	FZ-DS	Buy on EAN
Vision System, Support Xpectia controller	241472	FZ-VESA	Buy on EAN
Vision system, high-resolution monochrome camera	330097	FZ-S5M2	Buy on EAN
FZ/FJ Intelligent camera, remote zoom, autofocus and light control, 100mm FOV	236917	FZ-SLC100	Buy on EAN
Vision system, high-speed monochrome standard Camara	334976	FZ-SH	Buy on EAN
Vision System, monochrome standard miniature Camara	254742	FZ-SF	Buy on EAN
Vision system, mounting bracket FQ	337797	FQ-XL	Buy on EAN
Vision system, high-speed Color Camera Standard	334977	FZ-SHC	Buy on EAN
Vision System, Standard Color Camera FOV: 13x8.2-53x33 Dist: 56-215	351978	FZ-SQ050F	Buy on EAN