



Automatización Eléctrica
Especialistas en Automatización

At the end of this document you will find links to products related to this catalog. You can go directly to our shop by clicking [HERE](#). [HERE](#)

Base strip - PTSM 0,5/ 3-HV-2,5-SMD WH R44 - 1778706

Please be informed that the data shown in this PDF Document is generated from our Online Catalog. Please find the complete data in the user's documentation. Our General Terms of Use for Downloads are valid (<http://phoenixcontact.com/download>)




Header, Nominal current: 6 A, Rated voltage (III/2): 160 V, Number of positions: 3, Pitch: 2.5 mm, Color: white, Contact surface: Tin, Mounting: SMD soldering, Article with anti-rotation pin

The figure shows a 3-pos. version of the product

Why buy this product

- Compatible with PTSM.../PTPM... plugs
- High current carrying capacity of 6 A
- Supplied in tape-on-reel packing according to IEC 60286-3 for automated mounting
- Rugged solder anchor for secure, mechanical fixing to the surface
- Specifically designed for use in dedicated SMT processes

Key Commercial Data

Packing unit	500 STK
Minimum order quantity	500 STK
GTIN	 4 046356 529884

Technical data

Dimensions

Pitch	2.50 mm
Dimension a	5 mm
Pin spacing	2.50 mm

General

Insulating material group	I
Rated surge voltage (III/3)	2.5 kV
Rated surge voltage (III/2)	2.5 kV
Rated surge voltage (II/2)	2.5 kV
Rated voltage (III/3)	125 V
Rated voltage (III/2)	160 V
Rated voltage (II/2)	250 V
Nominal current I_N	6 A
Maximum load current	6 A

Base strip - PTSM 0,5/ 3-HV-2,5-SMD WH R44 - 1778706

Technical data

General

Insulating material	HT PA
Flammability rating according to UL 94	V0
Color	white
Number of positions	3

Standards and Regulations

Connection in acc. with standard	UL
Flammability rating according to UL 94	V0

Classifications

eCl@ss

eCl@ss 4.0	272607xx
eCl@ss 4.1	27260701
eCl@ss 5.0	27260701
eCl@ss 5.1	27260701
eCl@ss 6.0	27260704
eCl@ss 7.0	27440402
eCl@ss 8.0	27440402
eCl@ss 9.0	27440402

ETIM

ETIM 4.0	EC002637
ETIM 5.0	EC002637

UNSPSC

UNSPSC 6.01	30211810
UNSPSC 7.0901	39121409
UNSPSC 11	39121409
UNSPSC 12.01	39121409
UNSPSC 13.2	39121409

Approvals

Approvals

Approvals

UL Recognized / UL Recognized

Ex Approvals

Base strip - PTSM 0,5/ 3-HV-2,5-SMD WH R44 - 1778706

Approvals

Approvals submitted

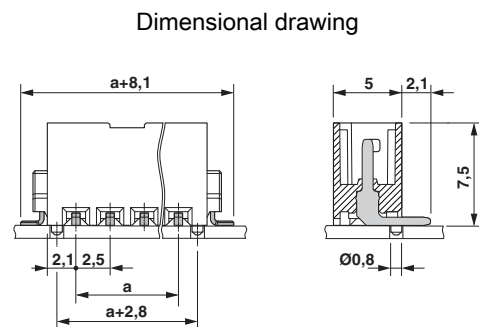
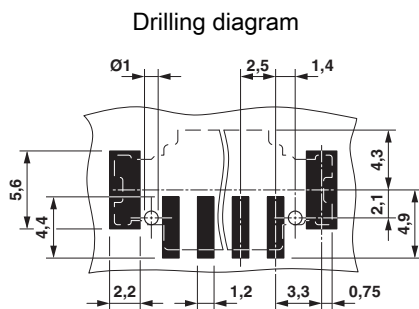
Approval details

UL Recognized

UL Recognized

	B
Nominal current I _N	5 A
Nominal voltage U _N	150 V

Drawings



Phoenix Contact 2016 © - all rights reserved
<http://www.phoenixcontact.com>

PHOENIX CONTACT GmbH & Co. KG
Flachsmarktstr. 8
32825 Blomberg
Germany
Tel. +49 5235 300
Fax +49 5235 3 41200
<http://www.phoenixcontact.com>

Below is a list of articles with direct links to our shop Electric Automation Network where you can see:

- Quote per purchase volume in real time.
- Online documentation and datasheets of all products.
- Estimated delivery time enquiry in real time.
- Logistics systems for the shipment of materials almost anywhere in the world.
- Purchasing management, order record and tracking of shipments.

To access the product, [click on the green button.](#)

Product	Code	Reference	Product link
Header, Nominal current: 6 A, Rated voltage (III/2): 160 V, Number of positions: 3, Pitch: 2.5 mm, Color: white, Contact surface: Tin, Mounting: Taped SMD/THT/THR components, Article with anti-rotation pin	1778706	PTSM 0,5/ 3- HV-2,5-SMD WH R44	Buy on EAN