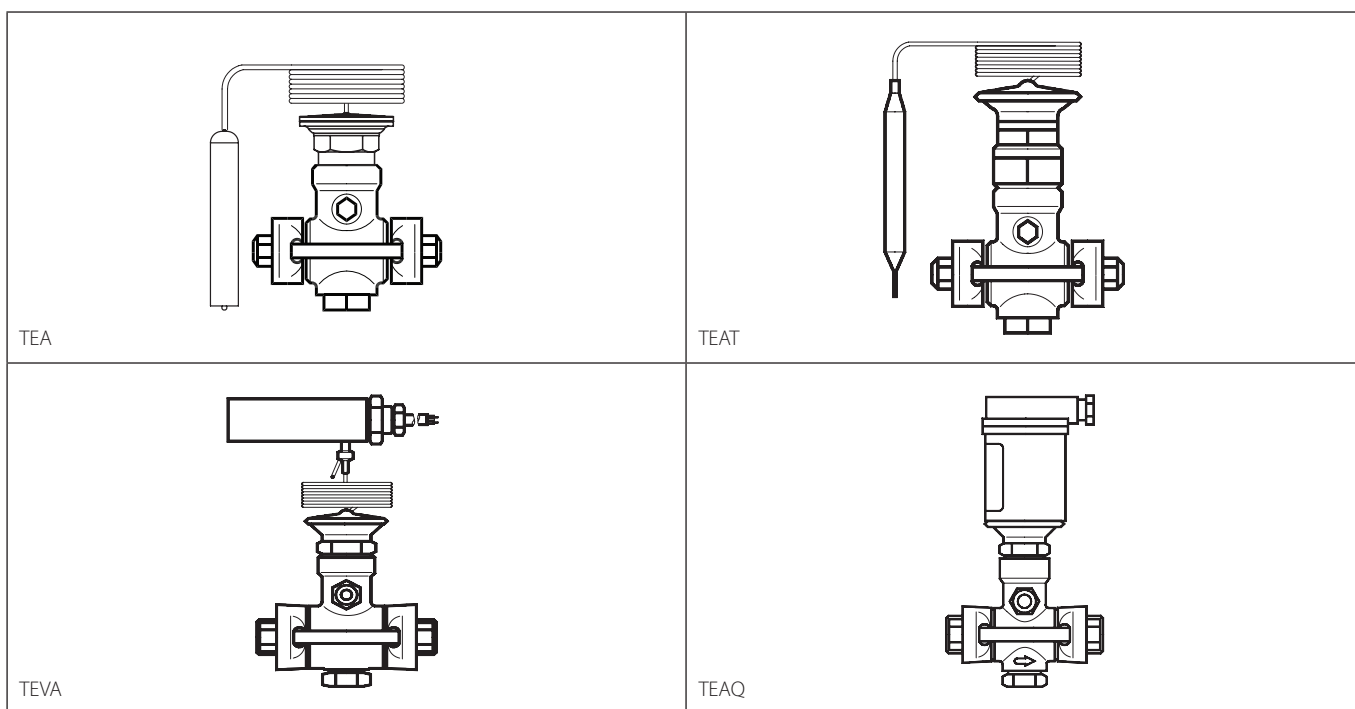


Data sheet

**Spare parts and accessories**

Expansion valves TEA, TEAT, TEVA and TEAQ, size 20 and 85



Valve type	Size	See details on page #	Code no.
<b>Inspection kits</b>			
TEA, TEAT, TEVA, TEAQ	All	2	068G0064
<b>Repair kits, orifice</b>			
TEA, TEAT, TEVA, TEAQ	20 - 1	3	068G2050
	20 - 2	3	068G2051
	20 - 3	3	068G2052
	20 - 5	3	068G2053
	20 - 8	3	068G2054
	20 - 12	3	068G2055
	20 - 20	3	068G2056
	85 - 33	3	068G2057
	85 - 55	3	068G2058
85 - 85	3	068G2059	

Valve type	Size	Temperature setting	See details on page #	Code no.
<b>Repair kits, element</b>				
TEA	All	-50 °C / 0 °C	4	068G3250
	All	-20 °C / +30 °C	4	068G3252
TEAT	All	+35 °C / +65 °C	4	068G3262
	All	+55 °C / +95 °C	4	068G3260
	All	+90 °C / +130 °C	4	068G3261

**No overhaul kit available.**

For ordering new valves please see the Danfoss website.  
TEAQ is out of production and cannot be ordered anymore.

**Inspection kits:**

Contains all gaskets, O-rings and sealings belonging to 1 valve size.  
For detailed content, see specific pages mentioned above.

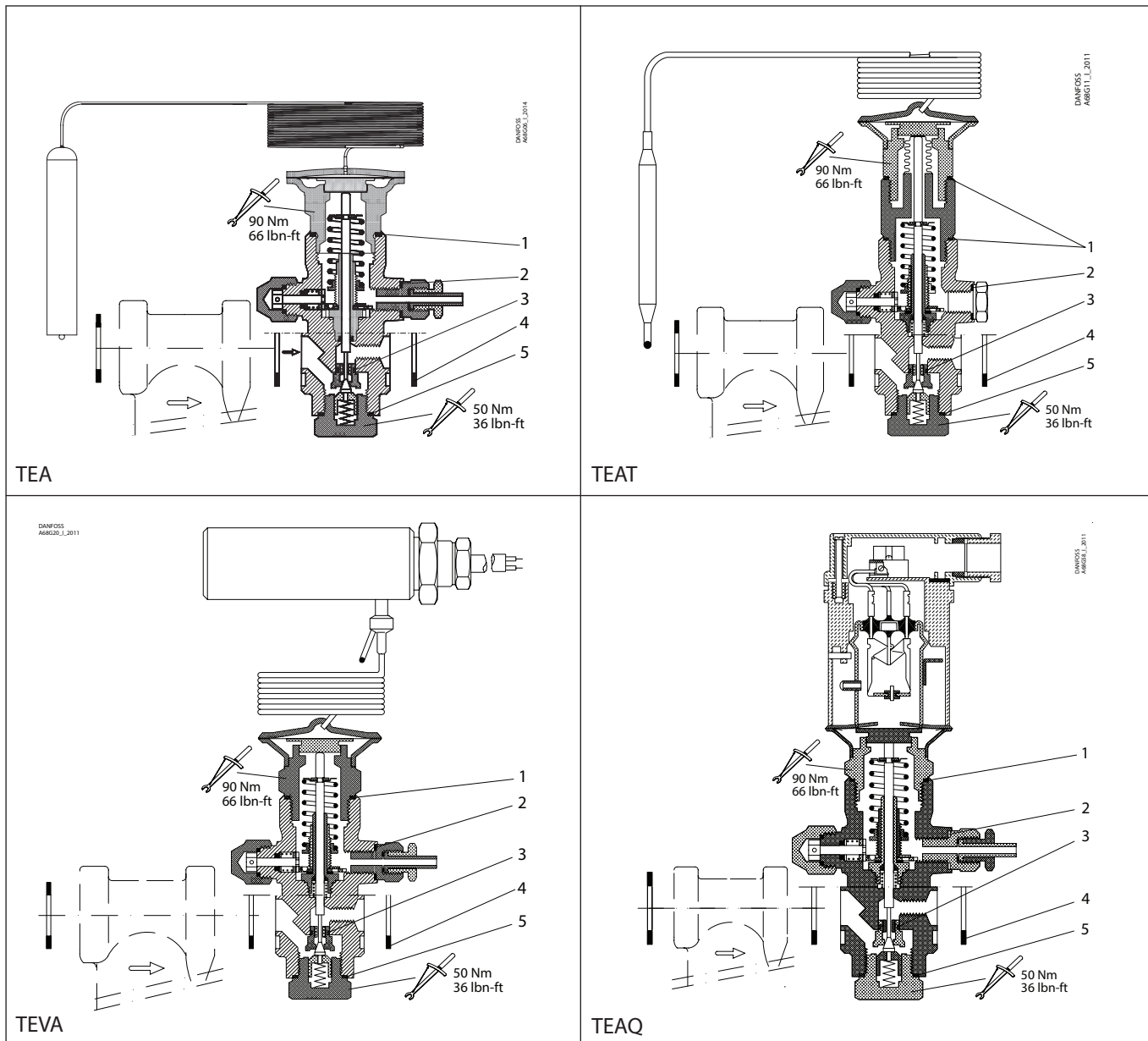
**Repair kits, orifice:**

Repair kit orifice contains all gaskets, O-rings, sealings and one orifice belonging to one valve size.  
For detailed content, see specific pages mentioned above.

**Repair kits, element:**

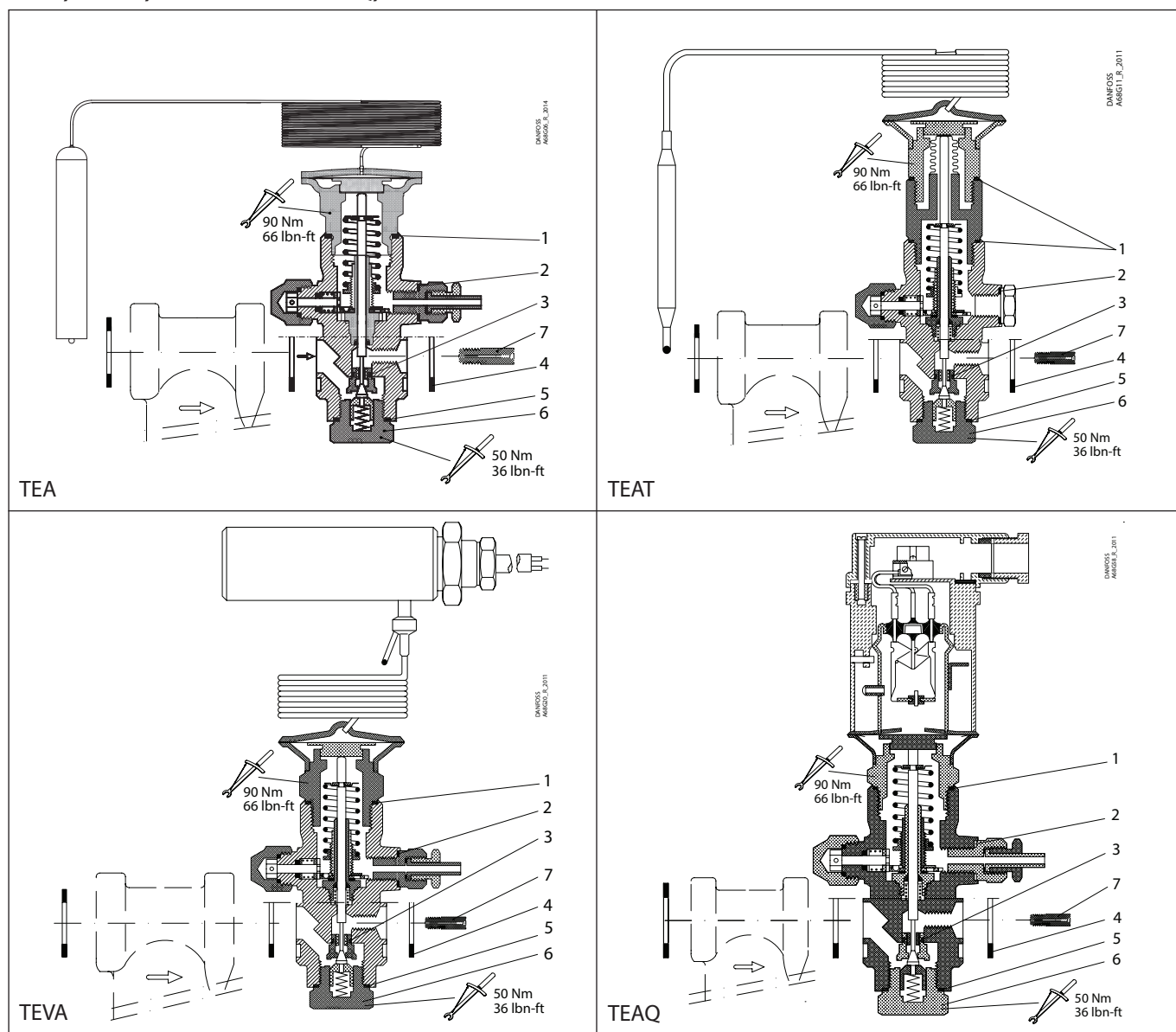
Repair kit element contains all gaskets, O-rings, sealings and one element belonging to one valve size.  
For detailed content, see specific pages mentioned above.

Inspection kit | Code number 068G0064  
TEA, TEAT, TEVA and TEAQ, Size 20 and 85



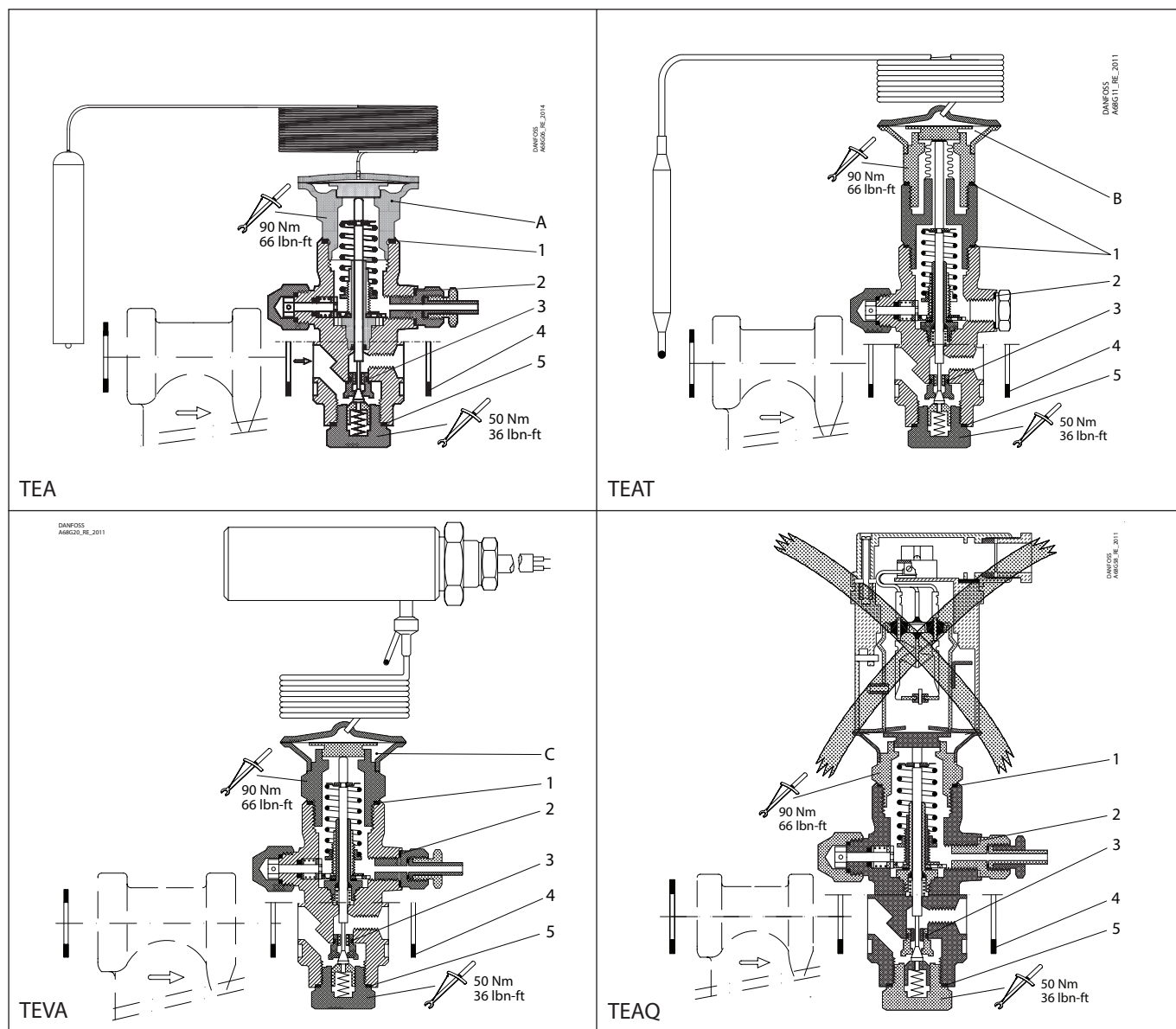
<p><b>1</b></p> <p>Alu.</p> <p>Ø36 mm Ø1.42"</p> <p>Total no. = 2</p>	<p><b>2</b></p> <p>Alu.</p> <p>Ø17.5 mm Ø0.69"</p> <p>Total no. = 1</p>	<p><b>3 (size 20)</b></p> <p>Ø8 mm Ø0.32"</p> <p>Total no. = 1</p>	<p><b>3 (size 85)</b></p> <p>Ø9 mm Ø0.35"</p> <p>Total no. = 1</p>
<p><b>4 (size 20)</b></p> <p>Fibre</p> <p>Ø32 mm Ø1.26"</p> <p>Total no. = 3</p>	<p><b>4 (size 85)</b></p> <p>Fibre</p> <p>Ø39 mm Ø1.54"</p> <p>Total no. = 3</p>	<p><b>5</b></p> <p>Alu.</p> <p>Ø26 mm Ø1.02"</p> <p>Total no. = 1</p>	

**Repair kit, orifice | Code numbers: 068G2050 / 068G2051 / 068G2052 / 068G2053 / 068G2054 / 068G2055 / 068G2056 / 068G2057 / 068G2058 / 068G2059**  
**TEA, TEAT, TEVA and TEAQ, Size 20 and 85**



<p><b>1</b></p> <p>— = Alu.</p> <p>Total no. = 2</p>	<p><b>2</b></p> <p>— = Alu.</p> <p>Total no. = 1</p>	<p><b>3 (size 20)</b></p> <p>Total no. = 1</p>	<p><b>3 (size 85)</b></p> <p>Total no. = 1</p>	<p><b>4 (size 20)</b></p> <p>— = Fibre</p> <p>Total no. = 3</p>
<p><b>4 (size 85)</b></p> <p>— = Fibre</p> <p>Total no. = 3</p>	<p><b>5</b></p> <p>— = Alu.</p> <p>Total no. = 1</p>	<p><b>6</b></p> <p>Total no. = 1</p>	<p><b>7</b></p> <p>Included in the repair kit  <b>068G2050</b> only</p> <p>Total no. = 1</p>	

Repair kit, element | Code numbers: 068G3250 / 068G3252 / 068G3260 / 068G3261 / 068G3262  
TEA, TEAT, TEVA and TEAQ, Size 20 and 85



<p><b>1</b></p> <p>▨ = Alu.</p> <p>Ø36 mm Ø1.42"</p> <p>Total no. = 2</p>	<p><b>2</b></p> <p>▨ = Alu.</p> <p>Ø17.5 mm Ø0.69"</p> <p>Total no. = 1</p>	<p><b>3 (size 20)</b></p> <p>Ø8 mm Ø0.32"</p> <p>Total no. = 1</p>	<p><b>3 (size 85)</b></p> <p>Ø9 mm Ø0.35"</p> <p>Total no. = 1</p>	<p><b>4 (size 20)</b></p> <p>▨ = Fibre</p> <p>Ø32 mm Ø1.26"</p> <p>Total no. = 3</p>	<p><b>4 (size 85)</b></p> <p>▨ = Fibre</p> <p>Ø39 mm Ø1.54"</p> <p>Total no. = 3</p>
<p><b>5</b></p> <p>▨ = Alu.</p> <p>Ø26 mm Ø1.02"</p> <p>Total no. = 1</p>	<p><b>6</b></p> <p>1 of A or 1 of B or 1 of C</p>	<p><b>Bulb strap</b></p> <p>Total no. = 1</p>			

