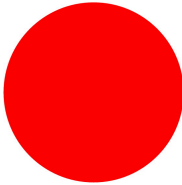







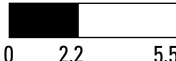
Pushbutton, classic, flat, maintained, 1 N/C, red, cable (black) with m8 plug, 4 pole, 0.2 m

Part no. C22-DR-R-K01-P30
 Catalog No. 185702

Delivery program

| | | | |
|-----------------------------------------------------------------------------|----|---|------------------------------------------------------------------------------------------------------------------------------------------------|
| Product range | | | RMQ compact solution |
| Basic function | | | Pushbutton actuators |
| Single unit/Complete unit | | | Complete unit |
| Design | | | Flat maintained |
| Connection type | | | Cable (black) with M8 plug, 4 pole |
| Cable Length | | m | 0.2 |
| Button plate | | | |
| button plate | | | red |
| Button plate | | |  |
| | | | Blank |
| Name | | | None |
| Degree of Protection | | | IP66, IP67, IP69 (front) IP65 (on rear) |
| Front ring | | | Bezel: titanium |
| Connection to SmartWire-DT | | | no |
| Contacts | | | |
| N/C = Normally closed | | | 1 NC  |
| Notes | | |  = safety function, by positive opening to IEC/EN 60947-5-1 |
| Actuator travel and actuation force as per DIN EN 60947-5-1, K.5.4.1 | | | |
| | mm | | 4.65 |
| Maximum travel | mm | | 5.7 |
| Minimum force for positive opening | N | | 15 |
| Contact sequence | | |  |

Contact travel = Contact closed = Contact open

| | | | |
|-----------------------|--|--|-----------------------------------------------------------------------------------|
| Contact diagram | | |  |
| Positive opening (ZW) | | | yes |

Technical data

General

| | | | |
|---------------------------------------------------|--------------|---------------|--------------------------------------------------------------------------------|
| Standards | | | IEC/EN 60947-5-1 VDE 0660 |
| Certifications | | | CE, UL, CSA |
| Lifespan, mechanical | Operations | $\times 10^6$ | > 1 |
| Operating frequency | Operations/h | | ≤ 3600 |
| Actuating force | | n | ≤ 5 |
| Plug tightening torque | | N/m | 0.6 |
| Tightening torque Threaded ring | | Nm | 2 |
| Climatic proofing | | | Damp heat, constant, to IEC 60068-2-78 Damp heat, cyclic, to IEC 60068-2-30 |
| Degree of Protection | | | IP66, IP67, IP69 (front) IP65 (on rear) |
| Ambient temperature | | | |
| Open | | °C | -30 - +70 |
| Storage | | °C | -30 - +80 |
| Mounting position | | | As required |
| Mechanical shock resistance, shock duration 11 ms | | g | > 30 |

Contacts

| | | | |
|-----------------------------------------|-----------|------|----------------------------------------------------------------------------------|
| Rated impulse withstand voltage | U_{imp} | V AC | 800 |
| Rated insulation voltage | U_i | V | 30 |
| Overvoltage category/pollution degree | | | III/3 |
| Control circuit reliability | | | |
| At 17 V DC/7 mA | H_F | | N/C contact: statistically determined 1 failure per 0.9×10^6 Operations |
| Max. short-circuit protective device | | | |
| Fuse | gG/gL | A | 4 |
| Rated conditional short-circuit current | I_q | kA | 1 |

Switching capacity

| | | | |
|---------------------------|-------|---|---|
| Rated operational current | I_e | A | |
| AC-15 | | | |
| 24 V | I_e | A | 4 |
| DC-13 | | | |
| 24 V | I_e | A | 3 |

Cable characteristics

| | | | |
|-------------------------|---------------|----|-----|
| Design | | | M8 |
| Cable Length | | m | 0.2 |
| Material characteristic | | | PUR |
| Diameter | \varnothing | mm | 4.7 |

Design verification as per IEC/EN 61439

| | | | |
|----------------------------------------|--|----|-----|
| Technical data for design verification | | | |
| Operating ambient temperature min. | | °C | -30 |
| Operating ambient temperature max. | | °C | 70 |

Technical data ETIM 7.0

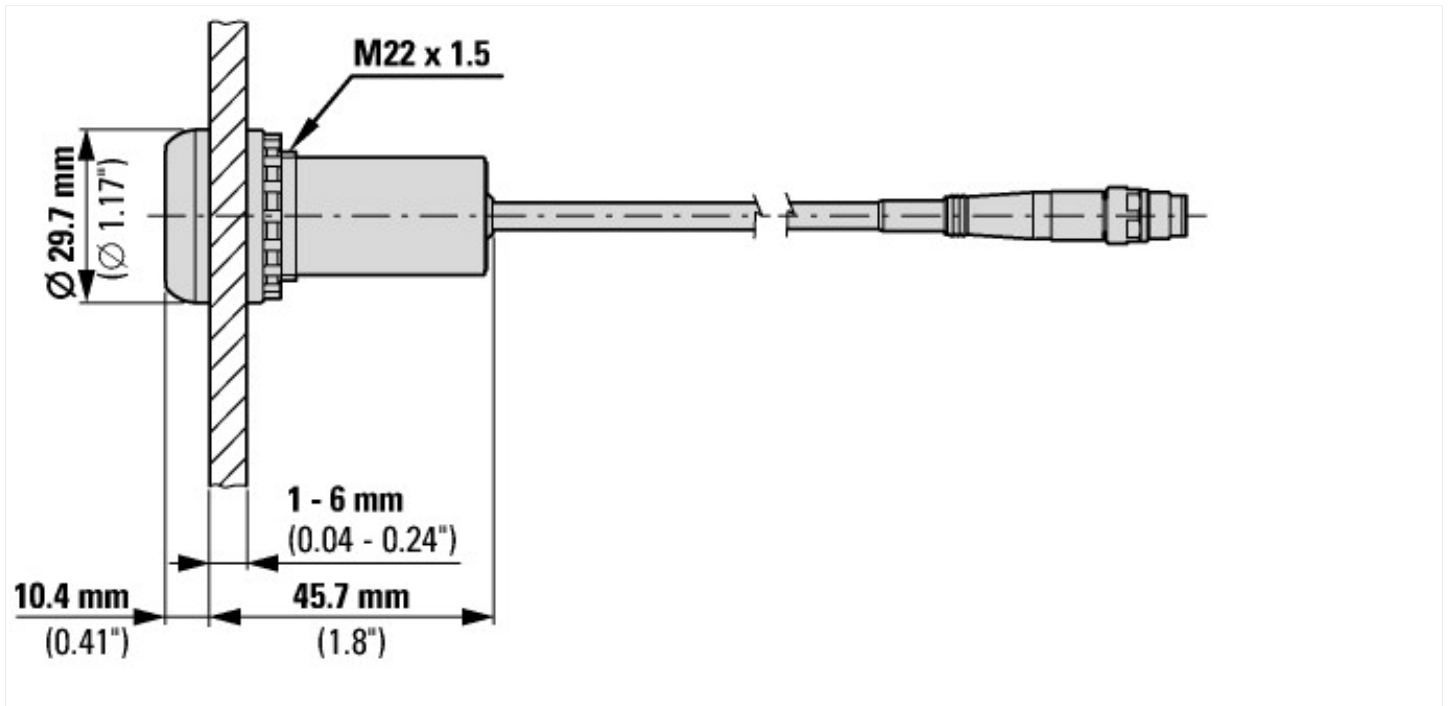
| | | | |
|-------------------------------------------------------------------------------------------------------------------------------------------------------------------------------------------------------|--|--|---|
| Low-voltage industrial components (EG000017) / Push button, complete (EC001028) | | | |
| Electric engineering, automation, process control engineering / Low-voltage switch technology / Command and alarm device / Push-button actuator, complete unit (ecl@ss10.0.1-27-37-12-28 [AKF046014]) | | | |
| Number of command positions | | | 1 |

| | | |
|-----------------------------------------------|----|---------|
| Type of button | | Flat |
| Colour button | | Red |
| Construction type lens | | Round |
| Hole diameter | mm | 22 |
| Width opening | mm | 0 |
| Height opening | mm | 0 |
| Suitable for illumination | | No |
| Switching function latching | | Yes |
| Spring-return | | No |
| Supply voltage lamp | V | 0 |
| Number of contacts as normally open contact | | 0 |
| Number of contacts as normally closed contact | | 1 |
| Number of contacts as change-over contact | | 0 |
| Type of electric connection | | Other |
| With front ring | | Yes |
| Material front ring | | Plastic |
| Colour front ring | | Grey |
| Degree of protection (IP) | | Other |
| Degree of protection (NEMA) | | Other |

Approvals

| | | |
|-----------------------------|--|-------------------------------------------------------------------------------|
| Product Standards | | IEC/EN 60947-5-1; UL 508; CAN/CSA-C22.2 No. 14-18 and No. 94.2-15; CE marking |
| UL File No. | | E29184 |
| UL Category Control No. | | NKCR |
| CSA File No. | | 165628 |
| CSA Class No. | | 321103 |
| North America Certification | | UL listed, CSA certified |
| Degree of Protection | | 2, 12 |

Dimensions



Assets (links)

Declaration of CE Conformity

00003256

Instruction Leaflets

IL047016ZU2018_06

Additional product information (links)

IL047016ZU RMQ compact solution

IL047016ZU RMQ compact solution

ftp://ftp.moeller.net/DOCUMENTATION/AWA_INSTRUCTIONS/IL047016ZU2018_06.pdf