
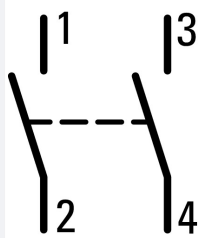





Key-operated actuator, RMQ Compact, momentary, 2 N/O, Screw connection, 2 positions, MS8, Bezel: titanium

Part no. C22-WS-MS8-K20  
 Catalog No. 136748  
 Alternate Catalog No. C22-WS-MS8-K20

### Delivery program

|  |  |  |   |
|--|--|--|---|
| Product range  |  |  | RMQ Compact   |
| Basic function   |  |  | Key-operated buttons  |
| Single unit/Complete unit  |  |  | Complete unit<br>momentary  |
| <b>Function:</b>   |  |  |   |
|  |  |  |  40° |
| Connection type  |  |  | Screw connection<br>Not suitable for master key systems<br>2 positions                |
| Lock mechanism   |  |  | MS8   |
| <b>Key withdrawable in position</b>  |  |  |   |
|  |  |  | 0   |
| Degree of Protection   |  |  | IP66  |
| Front ring   |  |  | Bezel: titanium   |
| Connection to SmartWire-DT   |  |  | no  |
| <b>Contacts</b>  |  |  |   |
| N/O = Normally open  |  |  | 2 N/O   |
| Contact sequence   |  |  |   |
| <b>Contact travel</b> <input checked="" type="checkbox"/> = Contact closed <input type="checkbox"/> = Contact open |  |  |   |
| Contact diagram  |  |  |   |
| Information about equipment supplied   |  |  | With 1 key  |

### Technical data

|                       |                              |  |
|-----------------------|------------------------------|--|
| <b>General</b>        |                              |  |
| Standards             |                              | IEC/EN 60947-5-1<br>VDE 0660   |
| Lifespan, mechanical  | Operations x 10 <sup>6</sup> | > 0.1  |
| Operating frequency   | Operations/h                 | ≤ 100  |
| Operating torque      | Nm                           | ≤ 0.5  |
| Climatic proofing     |                              | Damp heat, constant, to IEC 60068-2-78<br>Damp heat, cyclic, to IEC 60068-2-30 |
| Degree of Protection  |                              | IP66   |
| Mounting position     |                              | As required  |
| Terminal capacities   | mm <sup>2</sup>              |  |
| Solid                 | mm <sup>2</sup>              | 2 x 0.5 - 1.5  |
| Flexible with ferrule | mm <sup>2</sup>              | 2 x 0.5 - 1.5  |

|   |           |                   |               |
|---|-----------|-------------------|---------------|
| Tightening torque for terminal screw    |           | Nm                | 0.8           |
| <b>Contacts</b>                         |           |                   |               |
| Rated impulse withstand voltage         | $U_{imp}$ | V AC              | 4000          |
| Rated insulation voltage                | $U_i$     | V                 | 250           |
| Rated conditional short-circuit current | $I_q$     | kA                | 1             |
| Overvoltage category/pollution degree   |           |                   | III/3         |
| Control circuit reliability             |           |                   |               |
| at 24 V DC/5 mA                         | $H_F$     | Fault probability | values follow |
| at 5 V DC/1 mA                          | $H_F$     | Fault probability | values follow |
| Max. short-circuit protective device    |           |                   |               |
| Fuse                                    | gG/gL     | A                 | 10            |

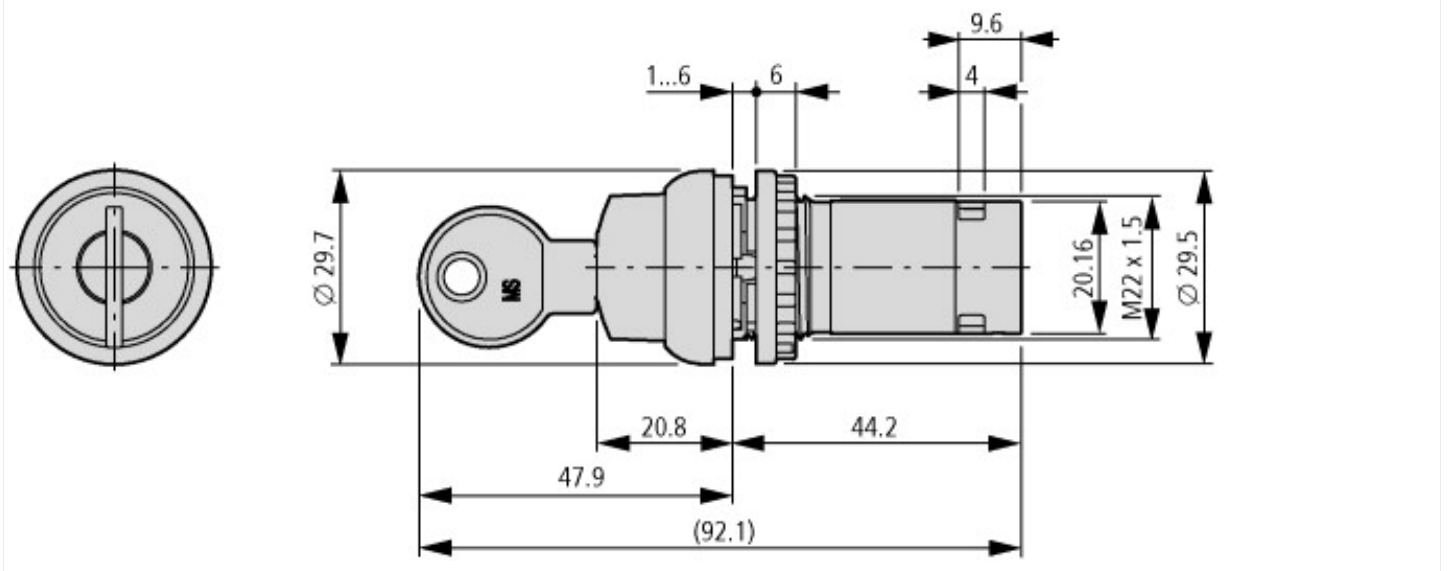
## Technical data ETIM 7.0

|  |  |    |                  |
|--|--|----|------------------|
| Low-voltage industrial components (EG000017) / Selector switch, complete (EC001029)  |  |    |                  |
| Electric engineering, automation, process control engineering / Low-voltage switch technology / Command and alarm device / Selector switch, complete unit (ecl@ss10.0.1-27-37-12-43 [ACN984011]) |  |    |                  |
| Number of switch positions   |  |    | 2                |
| Type of control element  |  |    | Key              |
| Suitable for illumination  |  |    | No               |
| With light source  |  |    | No               |
| Colour button  |  |    | Black            |
| Hole diameter  |  | mm | 22.5             |
| Width opening  |  | mm | 0                |
| Height opening   |  | mm | 0                |
| Switching function latching  |  |    | No               |
| Spring-return  |  |    | Yes              |
| Degree of protection (IP)  |  |    | IP66             |
| Degree of protection (NEMA)  |  |    |                  |
| Supply voltage   |  | V  | 0 - 0            |
| Number of contacts as normally open contact  |  |    | 2                |
| Number of contacts as normally closed contact  |  |    | 0                |
| Number of contacts as change-over contact  |  |    | 0                |
| Type of electric connection  |  |    | Screw connection |
| With front ring  |  |    | Yes              |
| Material front ring  |  |    | Plastic          |
| Colour front ring  |  |    | Other            |

## Approvals

|                             |  |  |  |
|-----------------------------|--|--|--|
| Product Standards           |  |  | IEC/EN 60947-5-1; UL 508; CAN/CSA-C22.2 No. 14-05 und 94-M91; CE marking |
| UL File No.                 |  |  | E29184   |
| UL Category Control No.     |  |  | NKCR   |
| CSA File No.                |  |  | 165628   |
| CSA Class No.               |  |  | 321103   |
| North America Certification |  |  | UL listed, CSA certified   |
| Degree of Protection        |  |  | 1,3R,4X,12,13  |

## Dimensions



## Additional product information (links)

IL04716025Z RMQ-Titan: compact programm

IL04716025Z RMQ-Titan: compact programm [https://es-assets.eaton.com/DOCUMENTATION/AWA\\_INSTRUCTIONS/IL04716025Z2021\\_05.pdf](https://es-assets.eaton.com/DOCUMENTATION/AWA_INSTRUCTIONS/IL04716025Z2021_05.pdf)