






**Pushbutton, Flat, momentary, 1 NC, Screw connection, black, inscribed, Bezel: titanium**



**Part no. C22-D-S-X0-K01**  
**Catalog No. 132428**  
**Alternate Catalog No. C22-D-S-X0-K01**

**Delivery program**

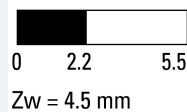
|   |    |  |  |
|---|----|--|--|
| Product range   |    |  | RMQ Compact  |
| Basic function  |    |  | Pushbutton actuators   |
| Single unit/Complete unit   |    |  | Complete unit  |
| Design  |    |  | Flat   |
|   |    |  | momentary  |
| Connection type   |    |  | Screw connection   |
| <b>Button plate</b>   |    |  |  |
| button plate  |    |  | black  |
| Button plate  |    |  |    |
|   |    |  | inscribed  |
| Name  |    |  | 0  |
| Degree of Protection  |    |  | IP66, IP67, IP69   |
| Front ring  |    |  | Bezel: titanium  |
| Connection to SmartWire-DT  |    |  | no   |
| <b>Contacts</b>   |    |  |  |
| N/C = Normally closed   |    |  | 1 NC    |
| Notes   |    |  |  = safety function, by positive opening to IEC/EN 60947-5-1 |
| <b>Actuator travel and actuation force as per DIN EN 60947-5-1, K.5.4.1</b> |    |  |  |
|   | mm |  | 4.65   |
| Maximum travel  | mm |  | 5.7  |
| Minimum force for positive opening  | N  |  | 15   |

Contact sequence



Contact travel  = Contact closed  = Contact open

Contact diagram



Positive opening (ZW)

yes

## Technical data

### General

|                                      |              |                 |  |
|--------------------------------------|--------------|-----------------|--|
| Standards                            |              |                 | IEC/EN 60947-5-1<br>VDE 0660   |
| Lifespan, mechanical                 | Operations   | $\times 10^6$   | > 5  |
| Operating frequency                  | Operations/h |                 | $\leq 3600$  |
| Actuating force                      | n            |                 | $\leq 5$   |
| Climatic proofing                    |              |                 | Damp heat, constant, to IEC 60068-2-78<br>Damp heat, cyclic, to IEC 60068-2-30 |
| Degree of Protection                 |              |                 | IP66, IP67, IP69   |
| Ambient temperature                  |              |                 |  |
| Open                                 |              | °C              | -25 - +70  |
| Storage                              |              | °C              | - -30 - + 80   |
| Mounting position                    |              |                 | As required  |
| Terminal capacities                  |              | mm <sup>2</sup> |  |
| Solid                                |              | mm <sup>2</sup> | 2 x 0.5 - 1.5_x  |
| Flexible with ferrule                |              | mm <sup>2</sup> | 2 x 0.5 - 1.5_x  |
| Tightening torque for terminal screw |              | Nm              | 0.8  |

### Contacts

|   |           |      |      |
|---|-----------|------|------|
| Rated impulse withstand voltage         | $U_{imp}$ | V AC | 4000 |
| Rated insulation voltage                | $U_i$     | V    | 250  |
| Rated conditional short-circuit current | $I_q$     | kA   | 1    |

|                                       |       |   |       |
|---------------------------------------|-------|---|-------|
| Overvoltage category/pollution degree |       |   | III/3 |
| Max. short-circuit protective device  |       |   |       |
| Fuse                                  | gG/gL | A | 10    |

## Design verification as per IEC/EN 61439

|  |  |    |     |
|--|--|----|-----|
| Technical data for design verification |  |    |     |
| Operating ambient temperature min.     |  | °C | -25 |
| Operating ambient temperature max.     |  | °C | 70  |

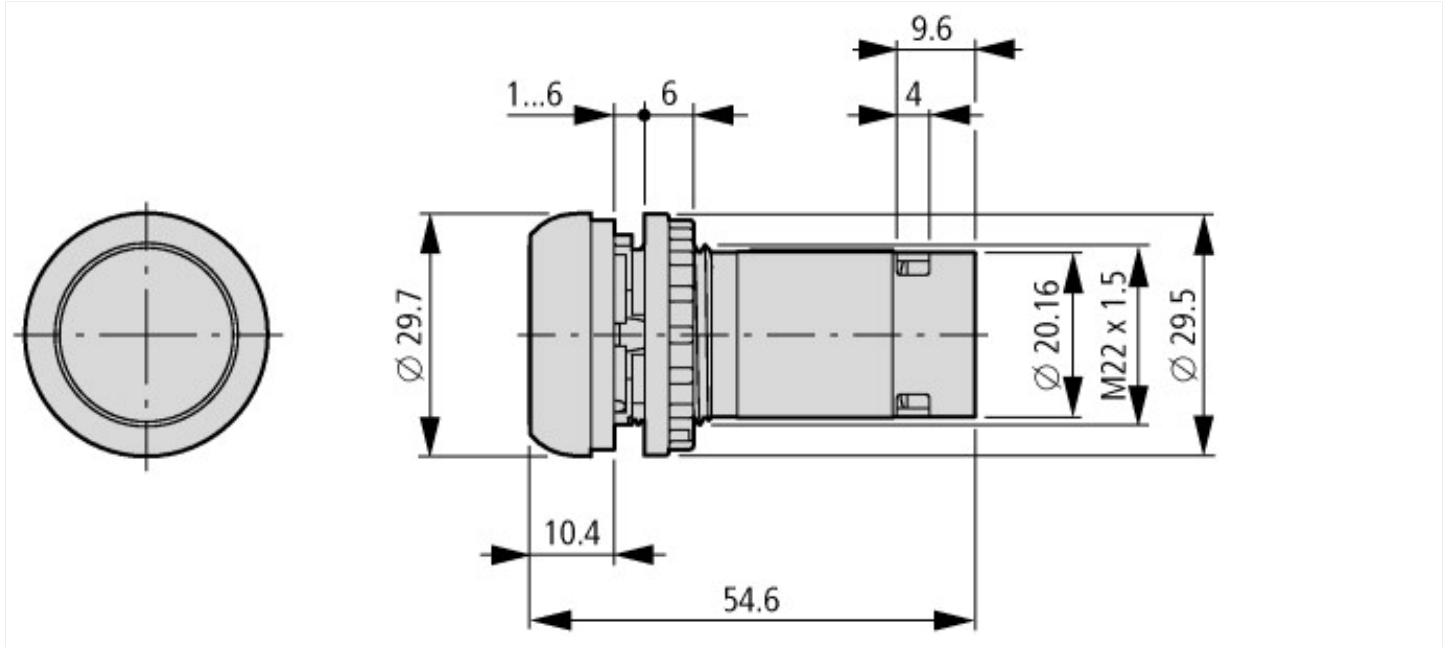
## Technical data ETIM 7.0

|   |  |    |                  |
|---|--|----|------------------|
| Low-voltage industrial components (EG000017) / Push button, complete (EC001028)   |  |    |                  |
| Electric engineering, automation, process control engineering / Low-voltage switch technology / Command and alarm device / Push-button actuator, complete unit (ecl@ss10.0.1-27-37-12-28 [AKF046014]) |  |    |                  |
| Number of command positions   |  |    | 1                |
| Type of button  |  |    | Flat             |
| Colour button   |  |    | Black            |
| Construction type lens  |  |    | Round            |
| Hole diameter   |  | mm | 22.5             |
| Width opening   |  | mm | 0                |
| Height opening  |  | mm | 0                |
| Suitable for illumination   |  |    | No               |
| Switching function latching   |  |    | No               |
| Spring-return   |  |    | Yes              |
| Supply voltage lamp   |  | V  | 0                |
| Number of contacts as normally open contact   |  |    | 0                |
| Number of contacts as normally closed contact   |  |    | 1                |
| Number of contacts as change-over contact   |  |    | 0                |
| Type of electric connection   |  |    | Screw connection |
| With front ring   |  |    | Yes              |
| Material front ring   |  |    | Plastic          |
| Colour front ring   |  |    | Other            |
| Degree of protection (IP)   |  |    | Other            |
| Degree of protection (NEMA)   |  |    |                  |

## Approvals

|                             |  |  |  |
|-----------------------------|--|--|--|
| Product Standards           |  |  | IEC/EN 60947-5-1; UL 508; CAN/CSA-C22.2 No. 14-05 und 94-M91; CE marking |
| UL File No.                 |  |  | E29184   |
| UL Category Control No.     |  |  | NKCR   |
| CSA File No.                |  |  | 165628   |
| CSA Class No.               |  |  | 321103   |
| North America Certification |  |  | UL listed, CSA certified   |
| Degree of Protection        |  |  | 1,3R,4X,12,13  |

## Dimensions



## Additional product information (links)

IL04716025Z RMQ-Titan: compact programm

IL04716025Z RMQ-Titan: compact programm [https://es-assets.eaton.com/DOCUMENTATION/AWA\\_INSTRUCTIONS/IL04716025Z2021\\_05.pdf](https://es-assets.eaton.com/DOCUMENTATION/AWA_INSTRUCTIONS/IL04716025Z2021_05.pdf)