



**Pushbutton, RMQ-Titan, flat, maintained, black, blank, Front ring stainless steel**



**Part no. M30I-FDR-S**  
**Catalog No. 188092**  
**Alternate Catalog No. M30I-FDR-S**

**Delivery program**

|                            |   |    |  |
|----------------------------|---|----|--|
| Product range              |   |    | Flat Front (drilling dimensions 30.5 mm)                 |
| Basic function             |   |    | Pushbutton actuators                                     |
| Mounting hole diameter     | ∅ | mm | 30.5   |
| Single unit/Complete unit  |   |    | Single unit  |
| Design                     |   |    | flat   |
|                            |   |    | maintained   |
| <b>Button plate</b>        |   |    |  |
| button plate               |   |    | black  |
| Button plate               |   |    |  |
|                            |   |    | blank  |
| Degree of Protection       |   |    | IP66, IP67, IP69   |
| Front ring                 |   |    | Front ring stainless steel                               |
| Connection to SmartWire-DT |   |    | yes<br>with SWD-RMQ connections                          |
| <b>Instructions</b>        |   |    | Stay-put/spring-return function can be changed on device |

**Technical data**

|                             |              |                   |  |
|-----------------------------|--------------|-------------------|--|
| <b>General</b>              |              |                   |  |
| Standards                   |              |                   | IEC/EN 60947<br>VDE 0660   |
| Lifespan, mechanical        | Operations   | x 10 <sup>6</sup> | > 1  |
| Operating frequency         | Operations/h |                   | ≤ 1800   |
| Actuating force             |              | n                 | ≤ 5  |
| Climatic proofing           |              |                   | Damp heat, constant, to IEC 60068-2-78<br>Damp heat, cyclic, to IEC 60068-2-30 |
| Degree of Protection        |              |                   | IP66, IP67, IP69   |
| Ambient temperature         |              |                   |  |
| Open                        |              | °C                | -25 - +70  |
| Storage                     |              | °C                | - 40 - + 80  |
| Mounting position           |              |                   | As required  |
| Mechanical shock resistance |              | g                 | 15<br>Shock duration 11 ms<br>Sinusoidal<br>according to IEC 60068-2-27        |
| shipping classification     |              |                   | DNV<br>GL  |
|                             |              |                   | <br>Germanischer Lloyd   |

## Design verification as per IEC/EN 61439

|  |  |    |     |
|--|--|----|-----|
| Technical data for design verification |  |    |     |
| Operating ambient temperature min.     |  | °C | -25 |
| Operating ambient temperature max.     |  | °C | 70  |

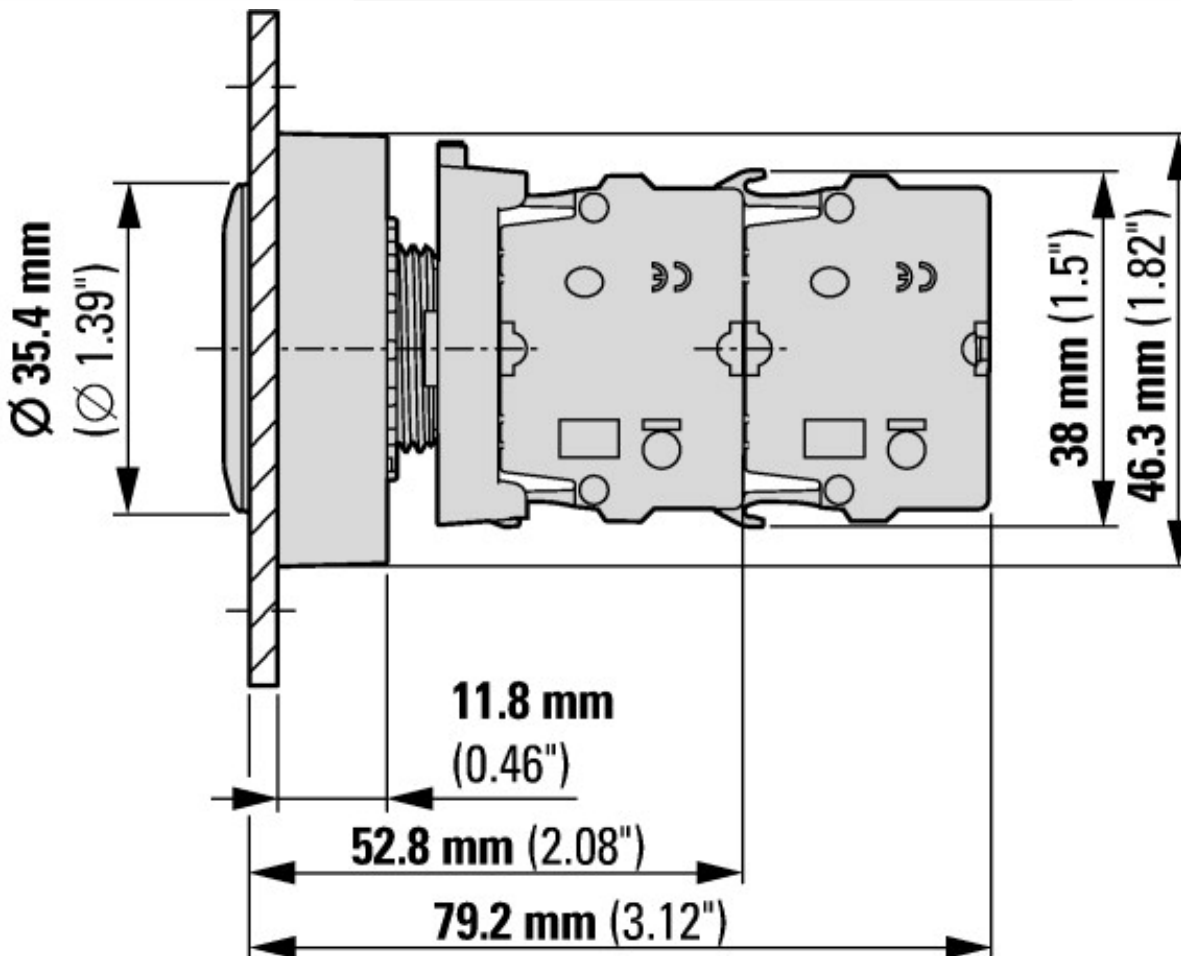
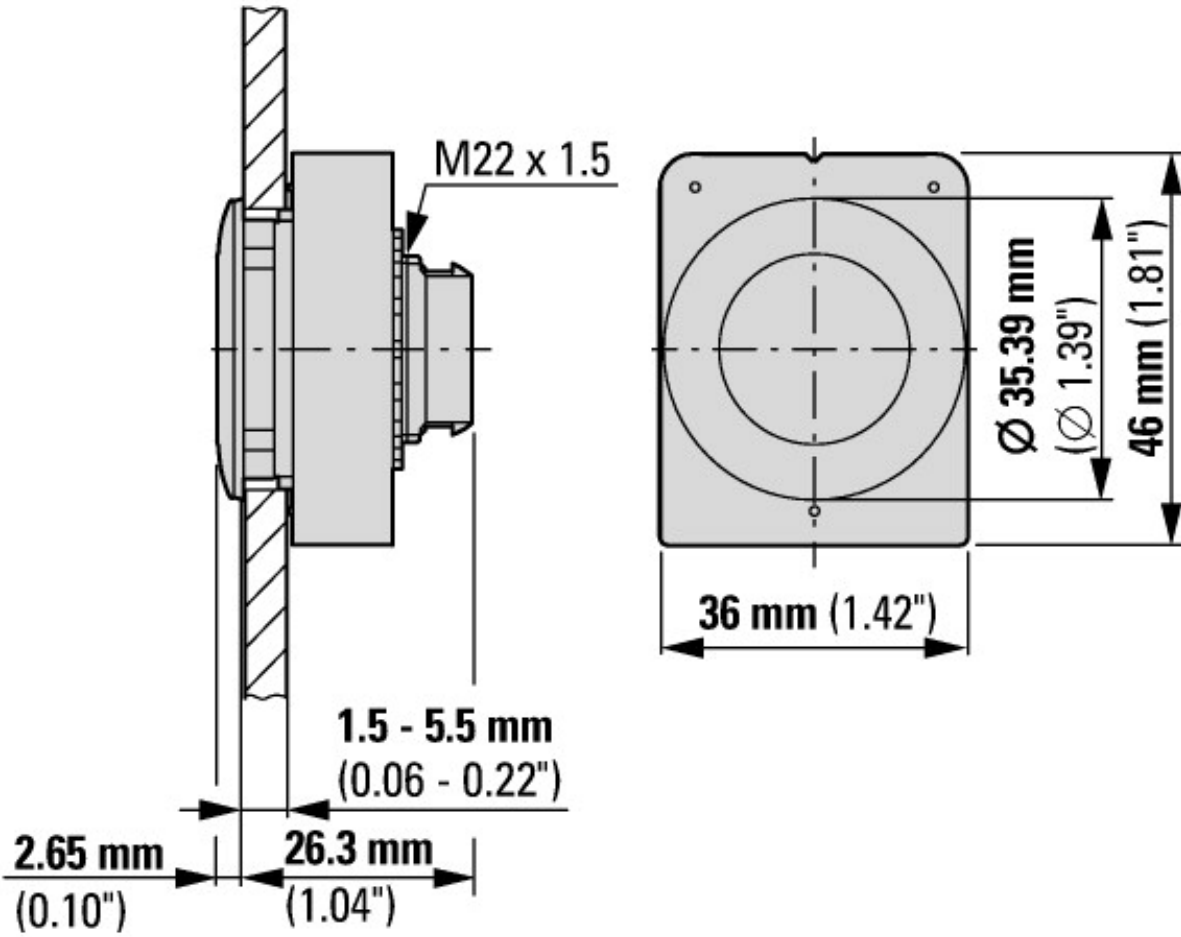
## Technical data ETIM 7.0

|   |  |    |       |
|---|--|----|-------|
| Low-voltage industrial components (EG000017) / Front element for push button (EC000221)   |  |    |       |
| Electric engineering, automation, process control engineering / Low-voltage switch technology / Command and alarm device / Front element for push-button actuators (ec1@ss10.0.1-27-37-12-10 [AKF028014]) |  |    |       |
| Colour button   |  |    | Black |
| Number of command positions   |  |    | 1     |
| Construction type lens  |  |    | Round |
| Hole diameter   |  | mm | 30    |
| Width opening   |  | mm | 0     |
| Height opening  |  | mm | 0     |
| Type of button  |  |    | Flat  |
| Suitable for illumination   |  |    | No    |
| With protective cover   |  |    | No    |
| Labelled  |  |    | No    |
| Switching function latching   |  |    | Yes   |
| Spring-return   |  |    | No    |
| With front ring   |  |    | Yes   |
| Material front ring   |  |    | Metal |
| Colour front ring   |  |    | Other |
| Degree of protection (IP), front side   |  |    | IP67  |
| Degree of protection (NEMA), front side   |  |    | Other |

## Approvals

|                             |  |  |  |
|-----------------------------|--|--|--|
| Product Standards           |  |  | IEC/EN 60947-5; UL 508; CSA-C22.2 No. 14-05; CSA-C22.2 No. 94-91; CE marking |
| UL File No.                 |  |  | E29184   |
| UL Category Control No.     |  |  | NKCR   |
| CSA File No.                |  |  | 012528   |
| CSA Class No.               |  |  | 3211-03  |
| North America Certification |  |  | UL listed, CSA certified   |
| Degree of Protection        |  |  | UL/CSA Type 3R, 4X, 12, 13   |

## Dimensions



with 2 standard M22-K contact elements...



with flat-rear contact elements M22-FK...

