

EPIC® SIGNAL R 3.0 A

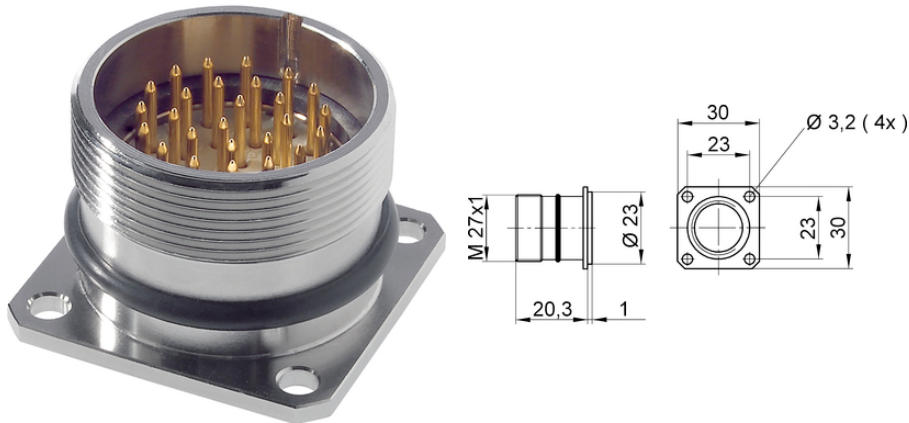
Circular connectors with solder termination, 21-pin and 26-pin

EPIC® R3.0 panel base signal for 26 contacts

Info

Compact and reliable connector for multicore signal cables

Made in Germany



Mechanical and plant engineering



Corrosion-resistant



Mechanical resistance



Space requirement

Benefits

highest contact density at small space requirements

Connector in solder version for easy maintenance

Application range

Machine and equipment manufacturing

Measurement and control technology

Technical Data

Classification ETIM 5:

ETIM 5.0 Class-ID: EC002635

ETIM 5.0 Class-Description: Circular connector (industrial connector)

Classification ETIM 6:

ETIM 6.0 Class-ID: EC002635

ETIM 6.0 Class-Description: Circular connector (industrial connector)

Rated voltage (V):

24V AC / 60VDC

Rated impulse voltage:

1.5 kV

Last Update (21.12.2020)

©2020 Lapp Group - Technical changes reserved

Product Management www.lappkabel.de

You can find the current technical data in the corresponding data sheet.

PN 0456 / 02_03.16

EPIC® SIGNAL R 3.0 A

Rated current (A):	7.5 A
Contact resistance:	< 3 mOhm
Contacts:	Copper alloy, gold-plated
Number of contacts:	21-pin / 26-pin
Termination methods:	Solder termination: up to 1.0 mm ²
Material:	Housing: nickel-plated copper alloy Insert: thermoplastic Sealing: neoprene
Protection rating:	IP 67 (maximum, dependant on cable gland used)
Cycle of mechanical operation:	500
Temperature range:	-40°C to +100°C, short-term up to +125°C

Note

Photographs and graphics are not to scale and do not represent detailed images of the respective products.
Prices are net prices without VAT and surcharges. Sale to business customers only.

EPIC® SIGNAL R 3.0 A

Article number	Article	Version	Contacts	Pin configuration	Coding	Fastening type	Pieces / PU
R 3.0 A							
00008747	SIGNAL R 3.0 A	male	1 - 21	E-Part	N	Ø 3.2 mm (4x)	5
00008825	SIGNAL R 3.0 A	male	1 - 26	E-Part	N	Ø 3.2 mm (4x)	5
00008867	SIGNAL R 3.0 A	female	1 - 21	P-Part	N	Ø 3.2 mm (4x)	5
00008746	SIGNAL R 3.0 A	female	1 - 26	P-Part	N	Ø 3.2 mm (4x)	5

Last Update (21.12.2020)

©2020 Lapp Group - Technical changes reserved

Product Management www.lappkabel.deYou can find the current technical data in the corresponding data sheet.
PN 0456 / 02_03.16