

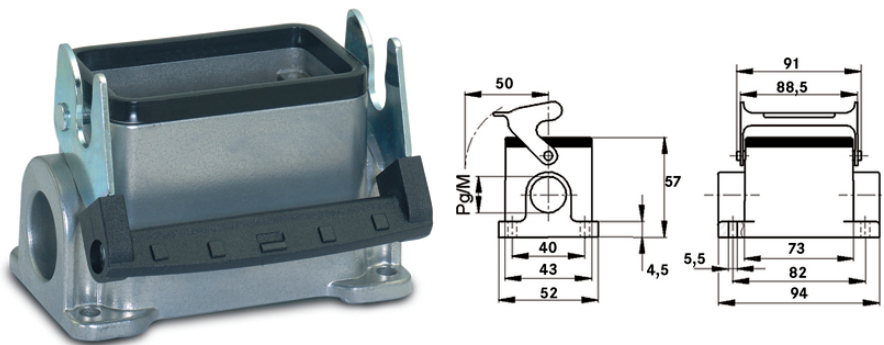
EPIC® H-B 10 SGRL-LB

Housing design H-B. The industry standard.

The universal low metal housing has 1 single lever and 2 cable entries and can be used, for example, in investment construction.

Info

Single Lever version for quick locking and simple unlocking with lifting aid
Protection rating UL50E tested



- Supplementary automation components from Lapp
- Mechanical and plant engineering
- Mechanical resistance
- Robust
- Waterproof

Benefits

The smallest housing with single and double lever. The right housing is available for every application

Application range

Plant engineering
Light & sound technology
Plastics industry

Product features

Last Update (15.10.2021)
©2021 Lapp Group - Technical changes reserved
Product Management www.lappkabel.de
You can find the current technical data in the corresponding data sheet.
PN 0456 / 02_03.16

EPIC® H-B 10 SGRL-LB

Surface-mount base, low version
Single lever
2 cable entries

Technical Data

Classification ETIM 5:	ETIM 5.0 Class-ID: EC000437 ETIM 5.0 Class-Description: Housing for industrial connectors
Classification ETIM 6:	ETIM 6.0 Class-ID: EC000437 ETIM 6.0 Class-Description: Housing for industrial connectors
Material:	Housing: powder-coated aluminium alloy, grey Lever: zinc-plated steel Sealing: NBR
Protection rating:	IP 65 (latched) NEMA 250, UL50E: 12 (latched)
VDE-tested:	Certified production control: VDE-REG. no.: B437 UL-tested: UL File Number: E75770
Temperature range:	-40°C to +100°C, short-term up to +125°C

Note

Photographs and graphics are not to scale and do not represent detailed images of the respective products.
Prices are net prices without VAT and surcharges. Sale to business customers only.

EPIC® H-B 10 SGRL-LB

Article number	Article description	M	PG	Pieces / PU
H-B housing: surface-mount base (2 cable entries, single lever)				
10035900	H-B 10 SGRL-LB 16	-	16	10
19035900	H-B 10 SGRL-LB M20	20	-	10
79061600	H-B 10 SGRL-LB M25	25	-	10

Last Update (15.10.2021)

©2021 Lapp Group - Technical changes reserved

Product Management www.lappkabel.de

You can find the current technical data in the corresponding data sheet.

PN 0456 / 02_03.16