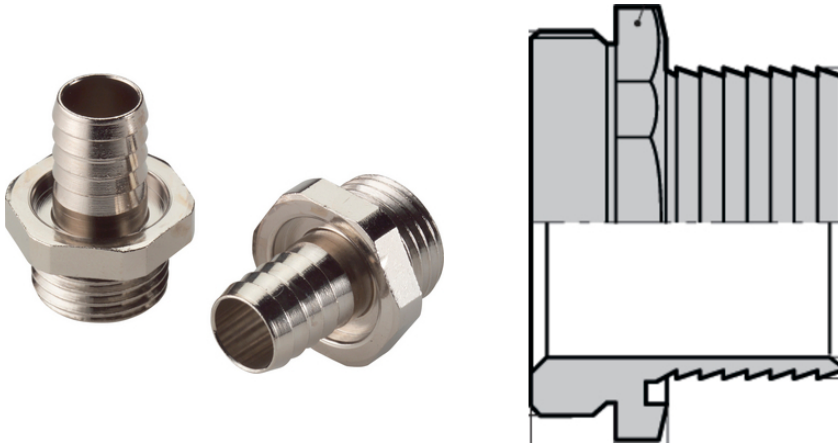


SILVYN® SSV

SILVYN® SSV - nickel-plated brass PG threaded conduit fitting



Optimum strain relief



Robust

Benefits

Conduit gland with high tensile strength for plastic conduits

Application range

In combination with protective conduit:

SILVYN® SI

SILVYN® SP

SILVYN® SP-PU

Product features

High-tensile

Robust

Compact design

Product Make-up

PG connection thread

Conduit entry with special grip profile

Note

Necessary conduit clamp SILVYN® SCH

Technical Data

Classification ETIM 5:

ETIM 5.0 Class-ID: EC001180

ETIM 5.0 Class-Description: Screw connection for protective metallic hose

Classification ETIM 6:

ETIM 6.0 Class-ID: EC001180

ETIM 6.0 Class-Description: Screw connection for protective metallic hose

Last Update (02.01.2023)

©2023 Lapp Group - Technical changes reserved

Product Management www.lappkabel.de

You can find the current technical data in the corresponding data sheet.

PN 0456 / 02_03.16

SILVYN® SSV

Material:	Body: nickel-plated brass O-ring: NBR
Temperature range:	-20°C to +80°C

Note

Photographs and graphics are not to scale and do not represent detailed images of the respective products.
Prices are net prices without VAT and surcharges. Sale to business customers only.

SILVYN® SSV

Article number	PG size	SW wrench size mm	Overall length mm	Thread length mm	Clear opening (mm)	Suitable for SILVYN® SCH	Suitable for SILVYN® SI	Suitable for SILVYN® SP	Suitable for SILVYN® SP-PU	Pieces / PU
SILVYN® SSV										
52003070	9	19	25	5.5	8	10 - 16 S	-	10 x 14	10 x 14	100
53800020	9	19	25	5.5	10	12 - 20 S	-	12 x 16	12 x 16	100
52003080	11	22	25	6	12	16 - 25 S	-	14 x 18	14 x 18	50
52024560	11	22	25	6	14	16 - 25 S	-	16 x 20	16 x 20	50
52003090	13.5	25	27.5	6.5	15.5	20 - 32 S	18 x 22	-	-	50
52003100	16	30	27.5	7.5	19	20 - 32 S	-	22 x 27	22 x 27	25
52003110	21	32	30	8	21	20 - 32 S	23 x 28	-	-	25
53800080	29	40	33	9.5	27	25 - 40 S	-	30 x 36	30 x 36	25
52024640	29	42	33	9.5	30	35 - 50 S	32 x 38	-	-	25
52002980	36	52	37	12	34	35 - 50 S	-	38 x 44	38 x 44	10
52002990	42	57	41	14	41	40 - 60 S	-	45 x 51	-	5

Last Update (02.01.2023)

©2023 Lapp Group - Technical changes reserved

 Product Management www.lappkabel.de

 You can find the current technical data in the corresponding data sheet.
 PN 0456 / 02_03_16