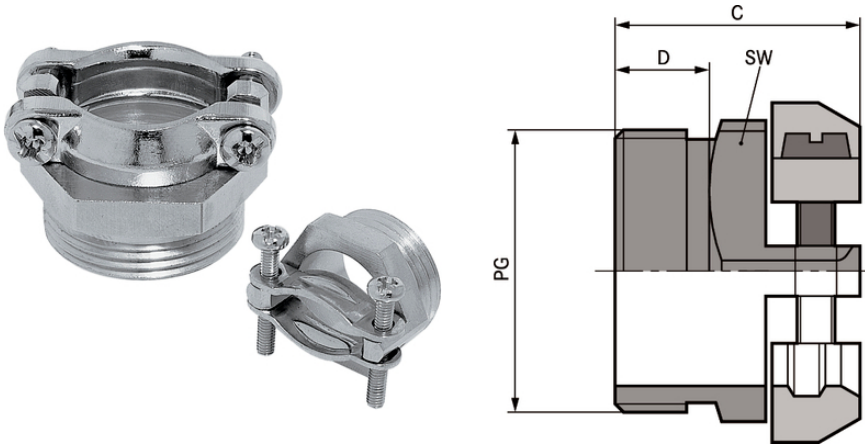


## SKINDICHT® SK

SKINDICHT® SK, PG brass cable gland, wide clamping range & reliable strain relief, for cable gland with solid brass saddle clamps



Wide clamping range



Optimum strain relief



Robust

### Benefits

Reliable strain relief  
Wide clamping range

### Application range

Cable gland with two solid brass saddle clamps  
Connectors  
Switches  
Control panels

### Product Make-up

PG connection thread

### Note

Counter nut to be used: SKINDICHT® SM

### Technical Data

Classification ETIM 5:

ETIM 5.0 Class-ID: EC000441

ETIM 5.0 Class-Description: Cable screw gland

Classification ETIM 6:

ETIM 6.0 Class-ID: EC000441

Last Update (07.10.2021)

©2021 Lapp Group - Technical changes reserved

Product Management [www.lappkabel.de](http://www.lappkabel.de)

You can find the current technical data in the corresponding data sheet.

PN 0456 / 02\_03.16

**SKINDICHT® SK**

Caution:	ETIM 6.0 Class-Description: Cable screw gland The installation dimensions can be found in appendix T21
On request:	Available with long connection thread
Material:	Body: nickel-plated brass
Protection rating:	IP 20
Temperature range:	-20°C up to +200°C

**Note**

Photographs and graphics are not to scale and do not represent detailed images of the respective products.  
Prices are net prices without VAT and surcharges. Sale to business customers only.

**SKINDICHT® SK**

Article number	Article designation / size	Clamping range ØF mm	SW wrench size mm	Max. fitting size for installation (mm)	Overall length C mm	Thread length D mm	Pieces / PU
SKINDICHT® SK							
52004230	PG 9	6 - 12	19.0	24	16.5	6	50
52004240	PG 11	7 - 15	21.0	27	16.5	6	50
52004250	PG 13,5	12 - 16.5	22.0	30	18.5	7.5	25
52004260	PG 16	13 - 18	24.0	33	19.0	7.5	25
52004270	PG 21	15 - 23	30.0	42	22.5	8	25
51712740	PG 29	20 - 31	41.0	58	26.0	8	10

Last Update (07.10.2021)

©2021 Lapp Group - Technical changes reserved

Product Management [www.lappkabel.de](http://www.lappkabel.de)You can find the current technical data in the corresponding data sheet.  
PN 0456 / 02\_03.16