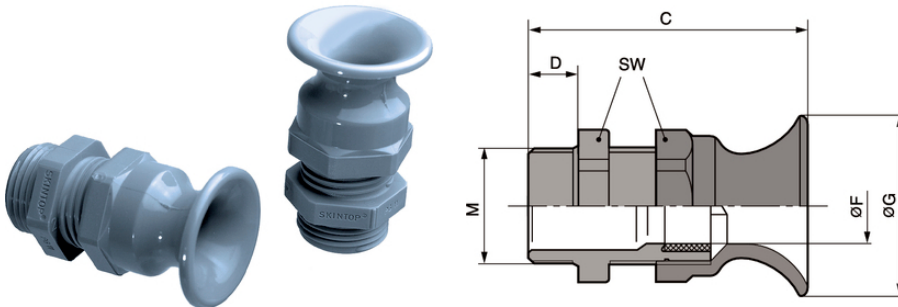


SKINTOP® BT-M

SKINTOP® BT-M, metric plastic cable gland as protection of flexible cables, with reliable bending and anti-kink protection



-  Good chemical resistance
-  Wide clamping range
-  Mechanical resistance
-  Optimum strain relief
-  Variety of approval certifications

Benefits

- Reliable bending and anti-kink protection
- Cable conservation
- Functional reliability
- To protect flexible cables

Application range

- Cables for electrical appliances and machinery that are moved under normal use must be protected against excessive bending as required in accordance with VDE 0700-1
- Handheld device
- Apparatus construction
- Light and sound applications
- Moving machine parts

Norm references / Approvals

UL File Nr. E79903

SKINTOP® BT-M

Product Make-up

Metric connection thread acc. to DIN EN 60423
Basis for technical information DIN IEC 62444

Technical Data

Classification ETIM 5:	ETIM 5.0 Class-ID: EC000441 ETIM 5.0 Class-Description: Cable screw gland
Classification ETIM 6:	ETIM 6.0 Class-ID: EC000441 ETIM 6.0 Class-Description: Cable screw gland
Caution:	Refer to Appendix T21 for the installation dimensions and torques
Colour delivered:	Silver grey (RAL 7001)
Material:	Body: Polyamide Seal: CR
Protection rating:	IP 68 - 5 bar
Temperature range:	-20°C to +100°C

Note

Photographs and graphics are not to scale and do not represent detailed images of the respective products.
Prices are net prices without VAT and surcharges. Sale to business customers only.

SKINTOP® BT-M

Article number	Article designation / size	Ø F mm	SW wrench size mm	Overall length C mm	Thread length D mm	Pieces / PU
SKINTOP® BT-M						
53017420	M 16 x 1,5	3.5 - 8	19	45.0	12	100
53017430	M 20 x 1,5	5 - 12	24	54.0	13	50
53017440	M 25 x 1,5	9 - 14	27	57.0	13	50

Last Update (1.01.2022)

©2022 Lapp Group - Technical changes reserved

Product Management www.lappkabel.de

You can find the current technical data in the corresponding data sheet.

PN 0456 / 02_03_16