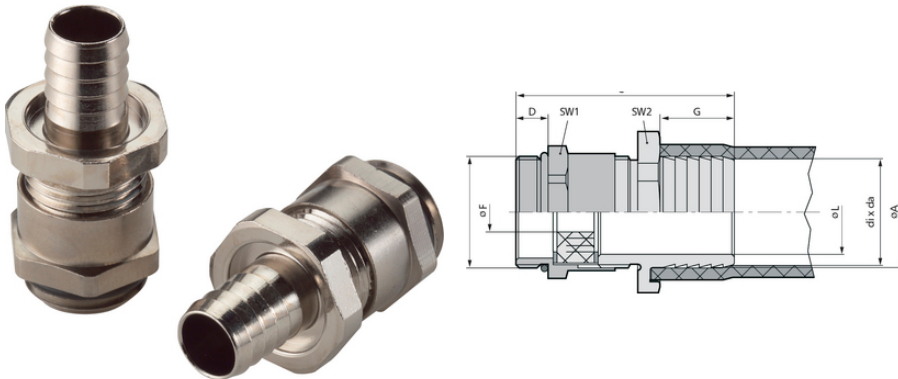


SILVYN® SSVZ-M

SILVYN® SSVZ-M - nickel-plated brass metric threaded conduit fitting with cable strain relief



Optimum strain relief



Robust

Benefits

Conduit gland with high tensile strength for plastic conduits
High-tensile cable protection

Application range

In combination with protective conduit:
SILVYN® SI
SILVYN® SP
SILVYN® SP-PU

Product features

High-tensile
Robust
Compact design
Cable strain relief
Cable sealing

Product Make-up

Metric connection thread
Integrated cable gland
Conduit entry with special grip profile

Note

Necessary conduit clamp SILVYN® SCH

Last Update (04.02.2022)

©2022 Lapp Group - Technical changes reserved

Product Management www.lappkabel.de

You can find the current technical data in the corresponding data sheet.

PN 0456 / 02_03.16

SILVYN® SSVZ-M

PG threaded versions are to be found in the online catalogue

Technical Data

Classification ETIM 5:	ETIM 5.0 Class-ID: EC001180 ETIM 5.0 Class-Description: Screw connection for protective metallic hose
Classification ETIM 6:	ETIM 6.0 Class-ID: EC001180 ETIM 6.0 Class-Description: Screw connection for protective metallic hose
Material:	Body: nickel-plated brass Incised sealing ring: CR O-ring: NBR
Temperature range:	-20°C to +80°C

Note

Photographs and graphics are not to scale and do not represent detailed images of the respective products.
Prices are net prices without VAT and surcharges. Sale to business customers only.

SILVYN® SSVZ-M

Article number	Metric size	Clamping range in mm	SW 1/2 mm	Overall length mm	Thread length mm	Clear opening (mm)	Suitable for SILVYN® SCH	Suitable for SILVYN® SI	Suitable for SILVYN® SP	Suitable for SILVYN® SP-PU	Pieces / PU
SILVYN® SSVZ-M											
55501850	16 x 1.5/1	5.0 - 8.0	19.0 / 18.0	39	5	8	10 - 16 S	-	10 x 14	10 x 14	50
55501860	16 x 1.5/2	5.0 - 8.0	19.0 / 18.0	39	5	10	12 - 20 S	-	12 x 16	12 x 16	50
55501870	20 x 1.5/1	7.0 - 12.5	22.0 / 22.0	39.6	6	12	16 - 25 S	14 x 18	14 x 18	14 x 18	50
55501880	20 x 1.5/2	7.0 - 12.5	22.0 / 22.0	39.6	6	12.5	16 - 25 S	-	16 x 20	16 x 20	50
55501890	20 x 1.5/3	7.0 - 16.0	25.0 / 22.0	43	6	15.5	20 - 32 S	18 x 22	-	-	50
55501900	20 x 1.5/4	8.0 - 16.0	30.0 / 24.0	44	6	16	20 - 32 S	-	22 x 27	22 x 27	25
55501910	25 x 1.5	11.0 - 20.0	32.0 / 30.0	48	7	20	20 - 32 S	23 x 28	-	-	25
55501920	32 x 1.5/1	18.0 - 31.0	40.0 / 40.0	53.6	8	27	25 - 40 S	-	30 x 36	30 x 36	25
55501930	32 x 1.5/2	18.0 - 31.0	42.0 / 40.0	53.6	8	30	35 - 50 S	32 x 38	-	-	25
55501940	40 x 1.5	24.0 - 35.0	52.0 / 50.0	61.6	8	34	35 - 50 S	-	38 x 44	38 x 44	10
55501950	50 x 1.5	30.0 - 42.5	57.0 / 57.0	68.6	9	41	40 - 60 S	-	45 x 51	-	5

Last Update (04.02.2022)

©2022 Lapp Group - Technical changes reserved

 Product Management www.lappkabel.de

 You can find the current technical data in the corresponding data sheet.
 PN 0456 / 02_03_16