

TELEMECANIQUE CONTACTOR SUPPRESSOR

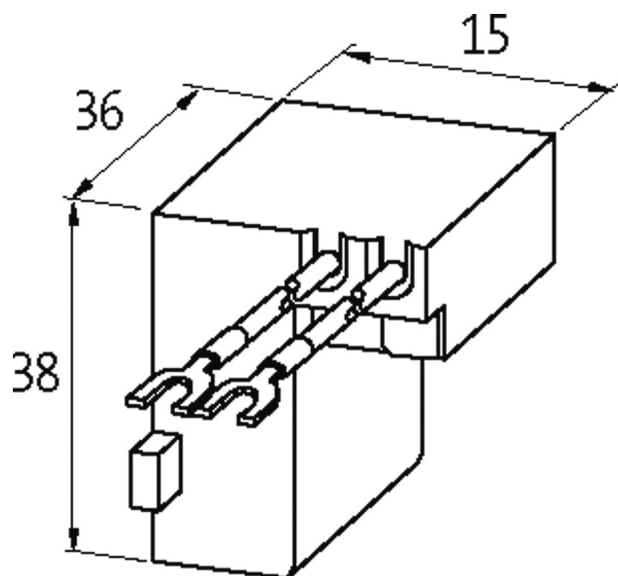
RC, 24-48VAC/DC

24 V AC/DC

48 V AC/DC

RC

For other configurations and voltages, please inquire.

[Link to Product](#)**Illustration**

stay connected



RC

Product may differ from Image

Approvals



Appropriate contactors

LC 1 D09...D38, LC 1 DT20, DT40, LC 2 D09...D38

Technical Data

Damping factor	approx. $1.5 \times UN$
Material	Flame retardant plastic acc. to (UL 94)
Connection wires	self-securing cable forks

General data

Dimensions H x W x D	15x36x38 mm
Temperature range	-20...+70 °C

Commercial data

country of origin	CZ
customs tariff number	85363010
EAN	4048879010146
eClass	27371013
Packaging unit	1