

**UNIVERSAL CONTACTOR SUPPRESSOR**

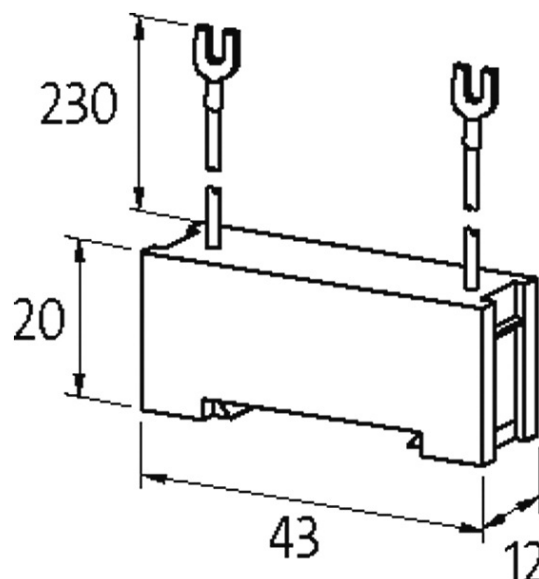
RC, 230VAC/DC/25VA/W

230 V AC/DC

RC

ASA adapter Art.-No. 20900 (included)

without accessories, can be directly snapped onto DIN-rail, ASA adapter Art.-No. 20900 included. For other configurations and voltages, please inquire.

[Link to Product](#)**Illustration**

stay connected



RC

Product may differ from Image

### Approvals



### Appropriate contactors

universal

### Technical Data

Max. power (W)	25 W (VA)
----------------	-----------

### General data

Mounting method	ASA adapter Art.-No. 20900 (included)
Dimensions H x W x D	20x43x12 mm
Temperature range	-20...+70 °C

### Commercial data

country of origin	CZ
customs tariff number	85363010
EAN	4048879020596
eClass	27371013
Packaging unit	1