

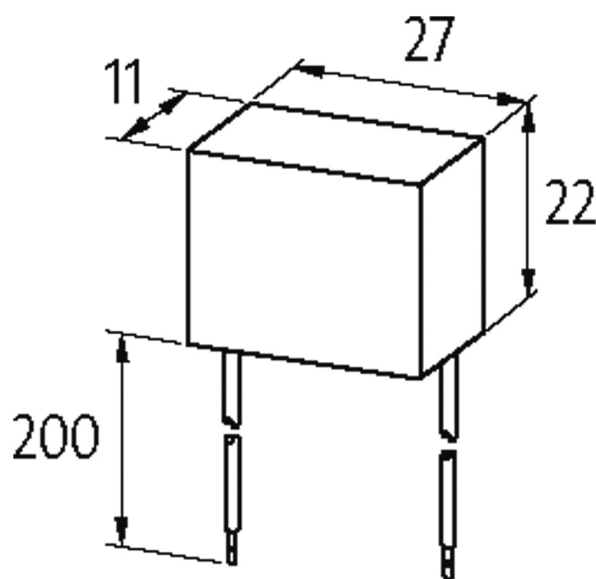
SUPPRESSOR FOR CONTACTORS

RC, 400 VAC/DC 50 VA/W

400 V AC/DC

RC

For other configurations and voltages, please inquire.

[Link to Product](#)**Illustration**

stay connected



RC

Product may differ from Image

Approvals



Appropriate contactors

universal

Technical Data

Damping factor	approx. 1.5 × UN
Material	Flame retardant plastic acc. to (UL 94)
Connection wires	flexible connection wires
Max. power (W)	max. 50 W (VA)

General data

Dimensions H × W × D	22×27×11 mm
Temperature range	-20...+70 °C

Commercial data

country of origin	CZ
customs tariff number	85363010
EAN	4048879020305
eClass	27371013
Packaging unit	1