

MOELLER CONTACTOR SUPPRESSOR

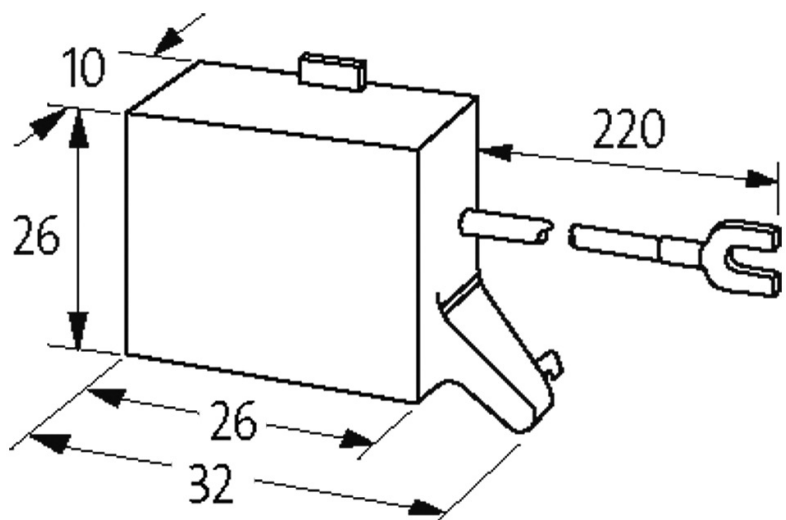
RC, 110/230VAC

110 V AC/DC

230 V AC/DC

RC

For other configurations and voltages, please inquire.

[Link to Product](#)**Illustration**

stay connected



RC

Product may differ from Image

Approvals



Appropriate contactors

DIL E...

XTMC

Technical Data

Damping factor	approx. 1.5 × UN
Material	Flame retardant plastic acc. to (UL 94)
Connection wires	self-securing cable forks

General data

Temperature range	-20...+70 °C
Dimensions H × W × D	27.5×10×32 mm

Commercial data

country of origin	CZ
customs tariff number	85363010
EAN	4048879020190
eClass	27371013
Packaging unit	1