

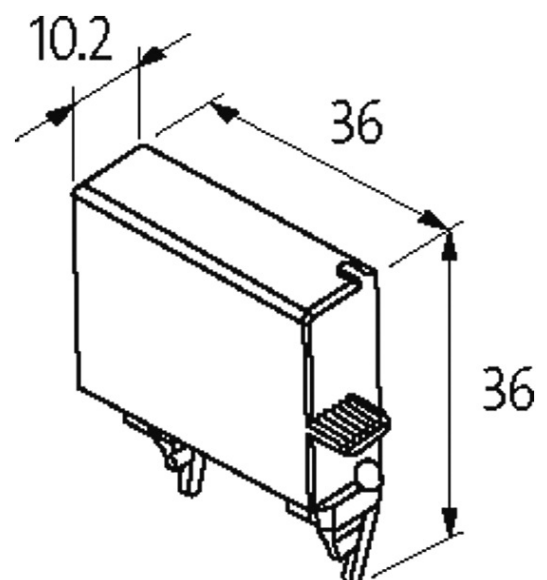
SUPPRESSOR FOR SIEMENS CONTACTOR

VDR+RC, 24...48 VAC/DC, 20 VA/W

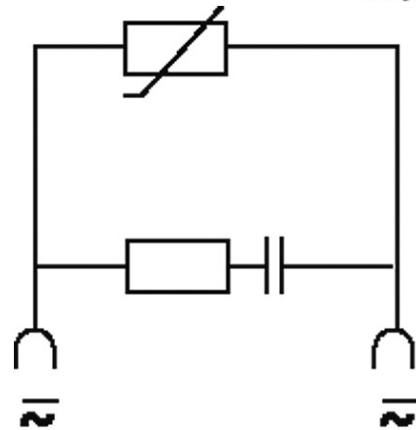
24 V AC/DC
RC + Varistor

[Link to Product](#)

Illustration



stay connected



VDR-RC

Product may differ from Image

Approvals



Appropriate contactors

3 RT 1.3/1.4

Technical Data

Damping factor	approx. $1.5 \times UN$
Material	Flame retardant plastic acc. to (UL 94)
Connection wires	Plug contact

General data

Dimensions H x W x D	36x10.2x36 mm
Temperature range	-20...+70 °C

Commercial data

country of origin	CZ
customs tariff number	85363010
EAN	4048879019934
eClass	27371013
Packaging unit	1