

MOTOR SUPPRESSOR

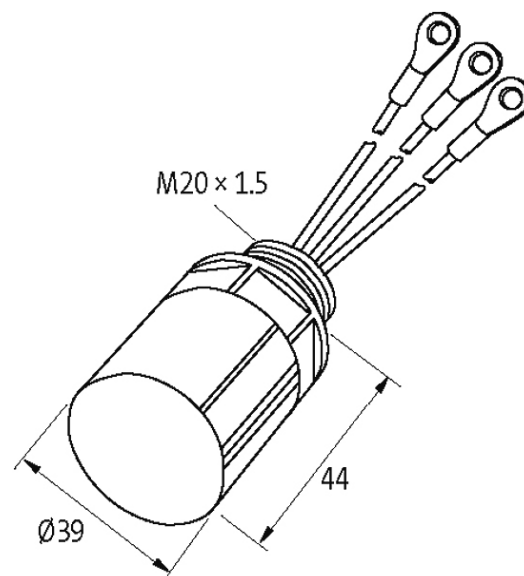
Varistor, 3x575VAC/20kW

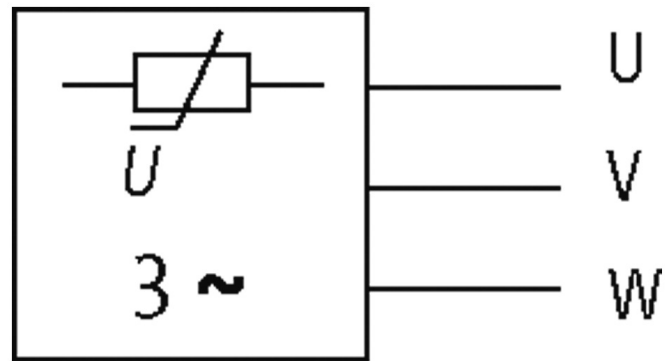
3 × 575 V AC
VDR

Suppressors for other voltages, frequencies, and motor ratings available on request. Do not use RC motor suppressors with frequency inverters.

[Link to Product](#)

Illustration



stay connected

VDR

Product may differ from Image

Approvals



Technical Data

Material	Flame retardant plastic acc. to (UL 94)
Potting compound	2-component epoxy
Ring terminals	isolated M6
Frequency	10...400 Hz

General data

Connection	approx. 150 mm, single cores 1 mm ²
Temperature range	-20...+60 °C
Mounting method	on motor terminal box with plug connector
Dimensions H × W × D	39×39×44 mm

Commercial data

country of origin	CZ
customs tariff number	85363010
EAN	4048879019095
eClass	27371013
Packaging unit	1