

MOTOR SUPPRESSOR

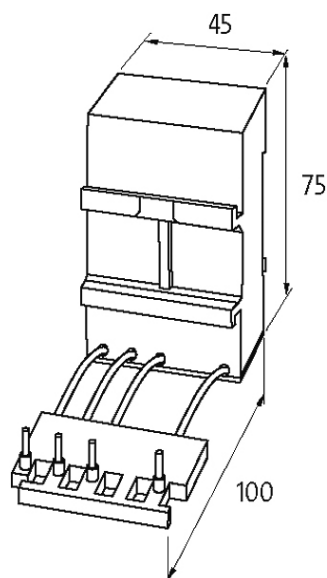
VDR for motor, diode for contactor, 3x575VAC/5,5kW

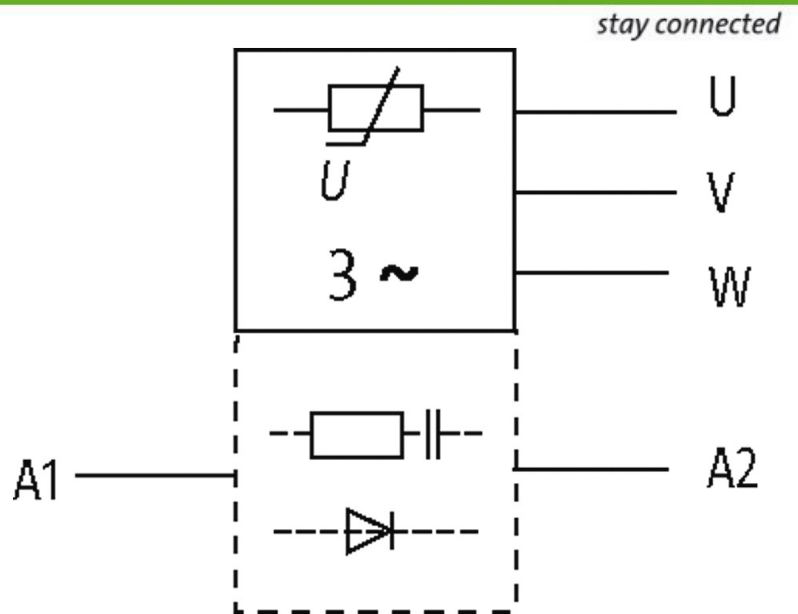
3 × 575 V AC
VDR + Diode

Suppressors for other voltages, frequencies, and motor ratings available on request. Do not use RC motor suppressors with frequency inverters.

[Link to Product](#)

Illustration





Product may differ from Image

Technical Data

Suppression: coil	Diode: 24...230 V DC/36 W
Frequency	10...400 Hz

General data

Dimensions H x W x D	75x45x100 mm
Connection	Ferrule ends, load side securely fixed
Temperature range	-20...+60 °C

Commercial data

country of origin	CZ
customs tariff number	85363010
EAN	4048879018982
eClass	27371013
Packaging unit	1