

## MOTOR SUPPRESSOR

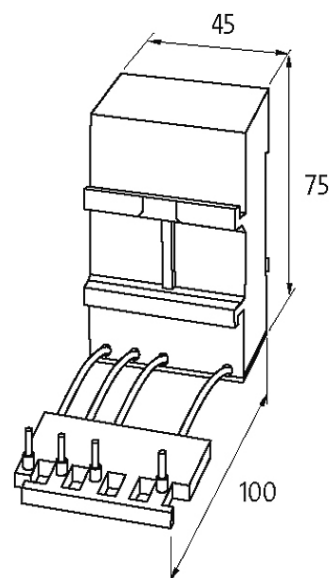
Varistor, 3x575VAC/5,5kW

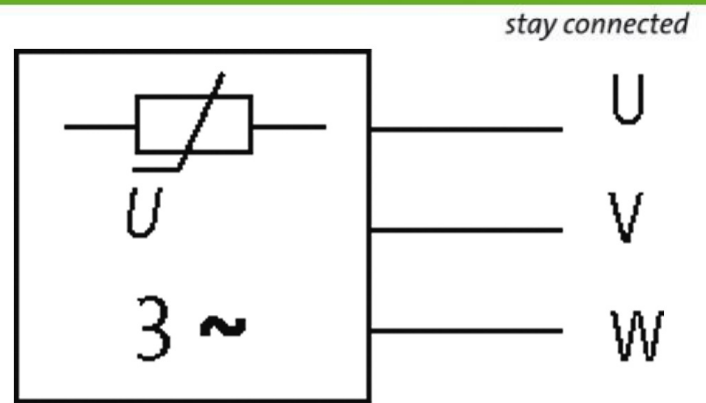
3 × 575 V AC  
VDR

Suppressors for other voltages, frequencies, and motor ratings available on request. Do not use RC motor suppressors with frequency inverters.

### [Link to Product](#)

#### Illustration





# VDR

Product may differ from Image

## Technical Data

Frequency 10...400 Hz

## General data

Dimensions H x W x D 75x45x100 mm

Connection Ferrule ends, load side securely fixed

Temperature range -20...+60 °C

## Commercial data

country of origin CZ

customs tariff number 85363010

EAN 4048879018944

eClass 27371013

Packaging unit 1