

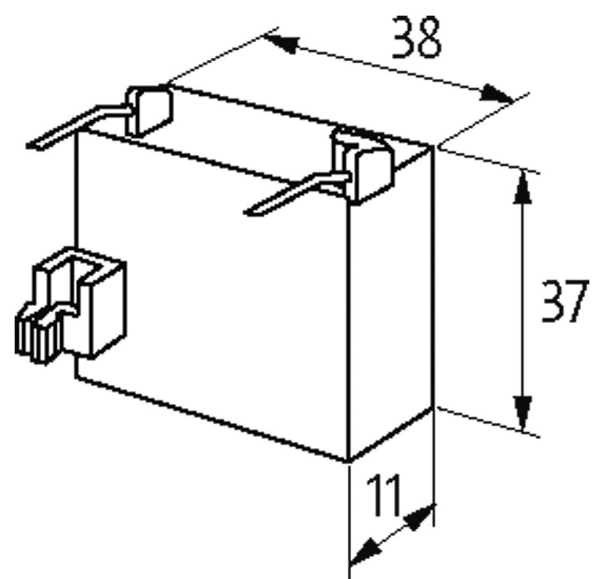
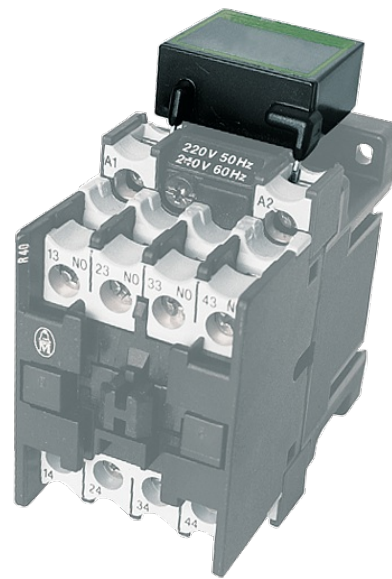
MOELLER CONTACTOR SUPPRESSOR

Diode, 0...240VDC

24...240 V DC

Diode

For other configurations and voltages, please inquire.

[Link to Product](#)**Illustration**

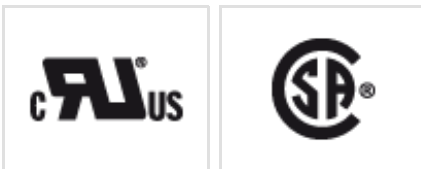
stay connected



Diode

Product may differ from Image

Approvals



Appropriate contactors

DIL 0-2...M, DIL R...

Technical Data

Damping factor	approx. 1.5 × UN
Material	Flame retardant plastic acc. to (UL 94)
Connection wires	Plug contact

General data

Dimensions H × W × D	37×38×11 mm
Temperature range	-20...+70 °C

Commercial data

country of origin	CZ
customs tariff number	85363010
EAN	4048879018418
eClass	27371013
Packaging unit	1