

TELEMECANIQUE CONTACTOR SUPPRESSOR

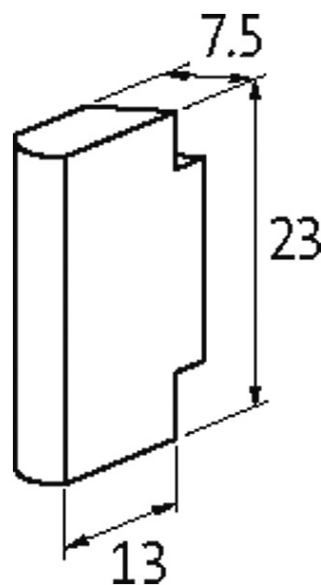
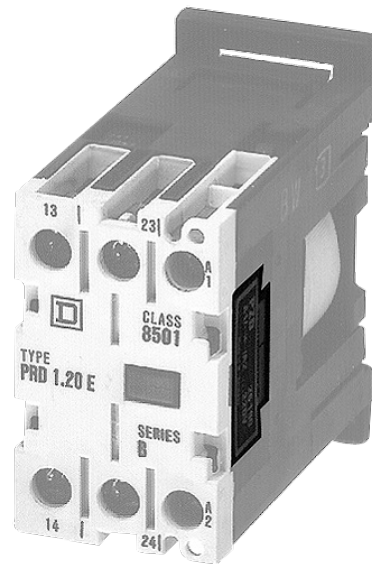
Varistor, 48VAC/DC

24 V AC/DC

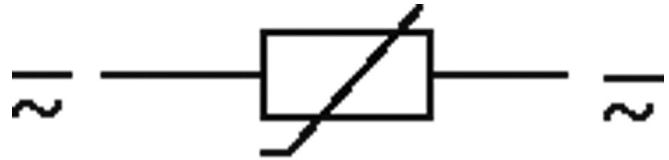
48 V AC/DC

VDR

For other configurations and voltages, please inquire.

[Link to Product](#)**Illustration**

stay connected



VDR

Product may differ from Image

Approvals



Appropriate contactors

M

SC-M

CAWM

Technical Data

Damping factor	approx. 1.5 × UN
Material	Flame retardant plastic acc. to (UL 94)
Connection wires	Plug contact

General data

Dimensions H × W × D	13×23×7.5 mm
Temperature range	-20...+70 °C

Commercial data

country of origin	CZ
customs tariff number	85363010
EAN	4048879018111
eClass	27371013
Packaging unit	1