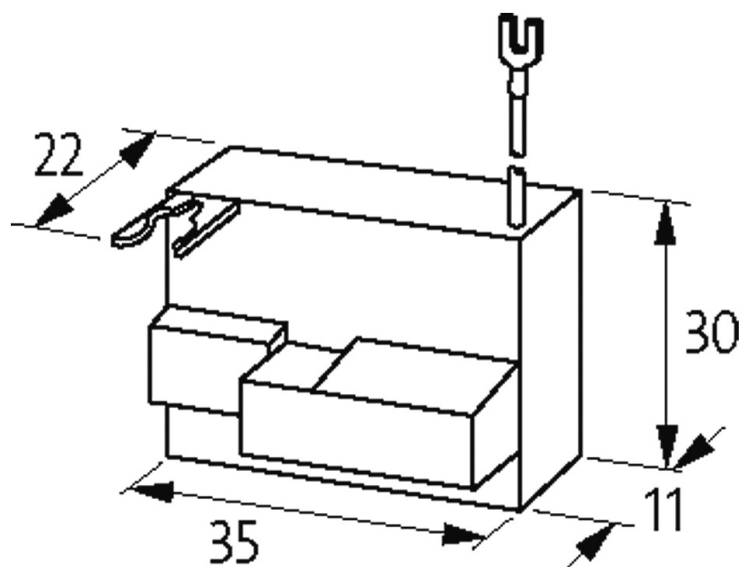


SIEMENS CONTACTOR SUPPRESSOR

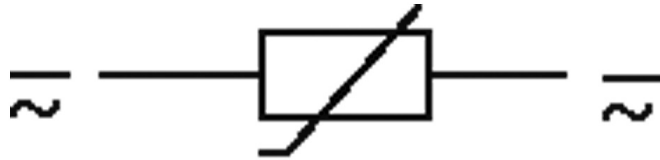
Varistor, 48VAC/DC

24 V AC/DC
VDR

For other configurations and voltages, please inquire.

[Link to Product](#)**Illustration**

stay connected



VDR

Product may differ from Image

Approvals



Appropriate contactors

3 TH 3/4; 3 TF 30...35; 3 TF 40...45

Technical Data

Damping factor	approx. $1.5 \times UN$
Material	Flame retardant plastic acc. to (UL 94)
Connection wires	self-securing cable forks

General data

Temperature range	-20...+70 °C
Dimensions H x W x D	35x22x30 mm

Commercial data

country of origin	CZ
customs tariff number	85363010
EAN	4048879017459
eClass	27371013
Packaging unit	1