

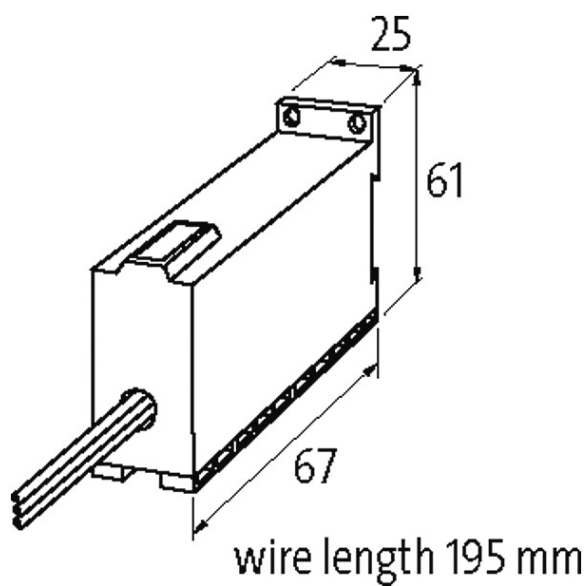
**UNIVERSAL CONTACTOR SUPPRESSOR**

RC, 600VAC/DC/146VAW

600 V AC/DC

RC

For other configurations and voltages, please inquire.

[Link to Product](#)**Illustration**

stay connected



RC

Product may differ from Image

### Approvals



### Appropriate contactors

universal

### Technical Data

Max. power (W)	146 W (VA)
Damping factor	approx. 1.5 × UN
Material	Flame retardant plastic acc. to (UL 94)
Connection wires	self-securing cable forks

### General data

Dimensions H × W × D	61×25×67 mm
Mounting method	with adapter ASA Art.-No. 20900, for DIN-rail mounting (EN 60715)
Temperature range	-20...+70 °C

### Commercial data

country of origin	CZ
customs tariff number	85363010
EAN	4048879017312
eClass	27371013
Packaging unit	1