

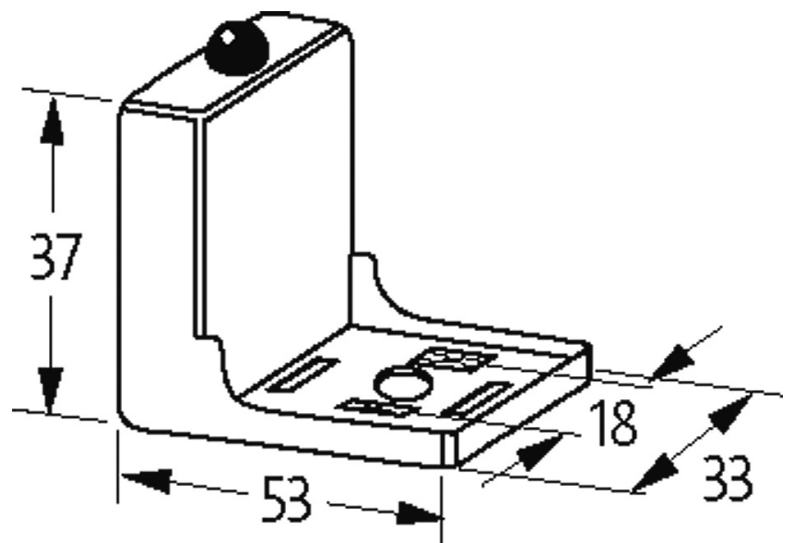
VALVE PLUG SUPPRESSOR FORM A - 18MM

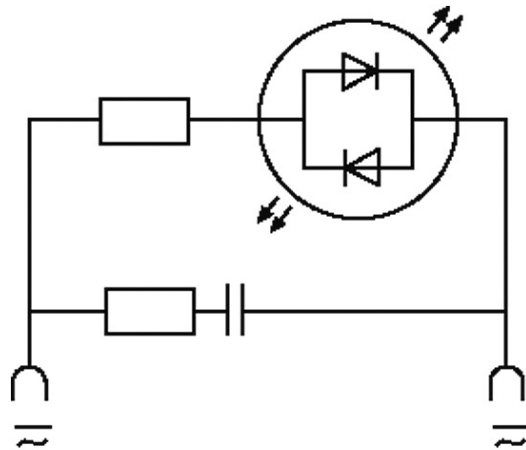
RC and LED, 110VAC/DC/25VA/W

110 V AC/DC

RC + LED

Remove plug gasket when fitting adapter. Other LED colors on request.

[Link to Product](#)**Illustration**



LED + RC

Product may differ from Image

Technical Data

Switch off peak	max. 250 V
Switch off delay time	max. 20 ms
Max. power (W)	max. 25 W (VA)
LED display	(yellow opac)

General data

Dimensions H x W x D	37x53x33 mm
Housing	Polyamide black, flame retardant, temperature resistance up to 130 °C
Temperature range	-20...+60 °C
Material (contact)	Silvered bronze

Commercial data

country of origin	CZ
customs tariff number	85363010
EAN	4048879012119
eClass	27371013
Packaging unit	1