

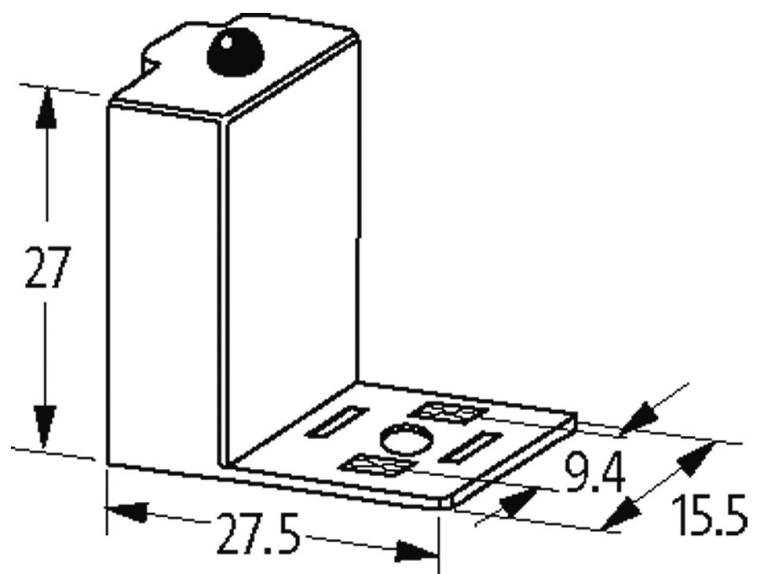
VALVE PLUG SUPPRESSOR FORM CI - 9.4MM

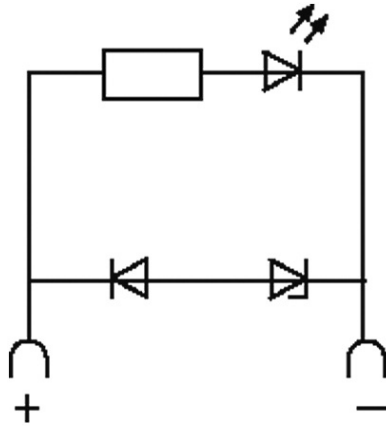
Zener diode and LED, 24VAC/DC/100VA/W

24 V AC/DC

Z-Diode + LED

Remove plug gasket when fitting adapter. Other LED colors on request.

[Link to Product](#)**Illustration**



Z-Diode + LED

Product may differ from Image

Technical Data

LED display	(yellow opac)
Switch off delay time	max. 20 ms
Switch off peak	max. 55 V
Max. power (W)	max. 100 W (VA)

General data

Housing	Polyamide black, flame retardant, temperature resistance up to 130 °C
Temperature range	-20...+60 °C
Material (contact)	Silvered bronze
Dimensions H x W x D	27x27.5x15.5 mm

Commercial data

country of origin	CZ
customs tariff number	85363010
EAN	4048879011587
eClass	27371013
Packaging unit	1