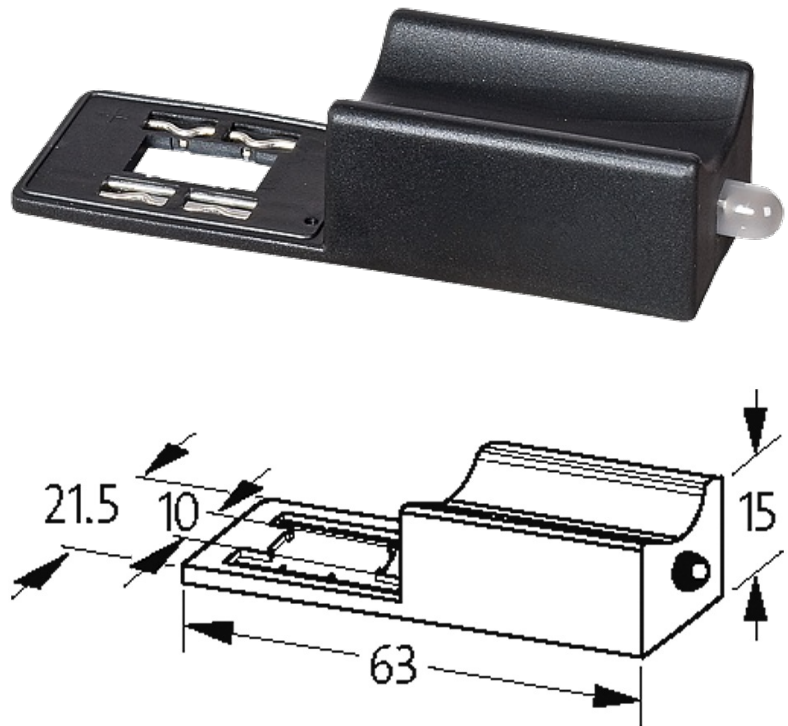


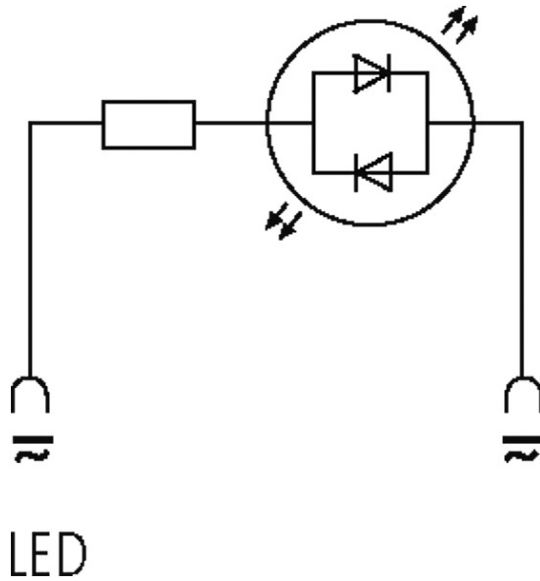
VALVE PLUG SUPPRESSOR FORM B - 10MM

With LED, 24VDC/50VA/W

24 V AC/DC
LED

Remove plug gasket when fitting adapter. Other LED colors on request. suitable for 0 and 180° installation

[Link to Product](#)**Illustration**



Product may differ from Image

Technical Data

LED display	(yellow opac)
Max. power (W)	max. 50 W (VA)

General data

Housing	Polyamide black, flame retardant, temperature resistance up to 130 °C
Temperature range	-20...+60 °C
Material (contact)	Silvered bronze
Dimensions H × W × D	15×63×21.5 mm

Commercial data

country of origin	CZ
customs tariff number	85363010
EAN	4048879011471
eClass	27371013
Packaging unit	1