

Modlink MSDD-set: Frame 4000-68113-0000000,

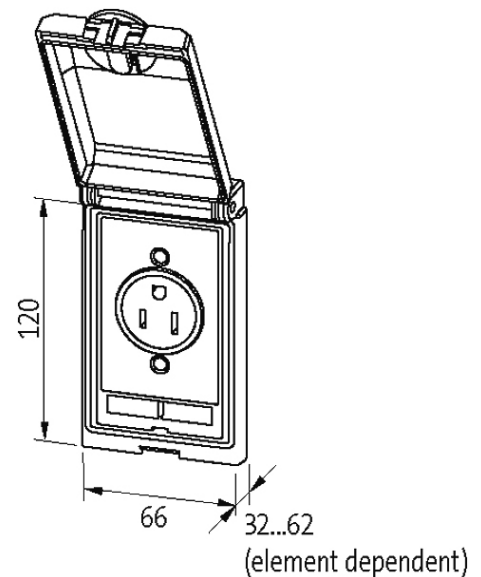
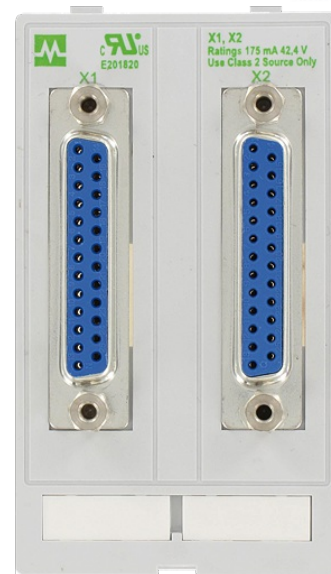
insert 4000-68000-0710000

[Link to Product](#)

Illustration



stay connected



Product may differ from Image

Frame

suitable for mounting with wall thickness	1...5 mm
Protection	IP65
Housing	Zinc die-casting, with surface finishing
Temperature range	-10...+60 °C (storage temperature -25...+60 °C)

SUB-D25

Operating voltage	48 V AC/DC
Operating voltage (UL Rating)	max. 30 V AC/42.4 V DC
Operating current	3 A
Operating current (UL Rating)	max. 175 mA
No. of poles	25-pole
Connection front side	SUB-D (female)
Connection rear side	SUB-D (solder connection)

The information in this brochure has been compiled with the utmost care.

Liability for the correctness completeness and topicality of the information is restricted to gross negligence. Version: 04/19

Murrelektronik GmbH | Falkenstraße 3 | 71570 Oppenweiler | Fon +49 (71 91) 47-0 | Fax +49 (71 91) 47-491000 | shop@murrelektronik.com | shop.murrelektronik.com

