

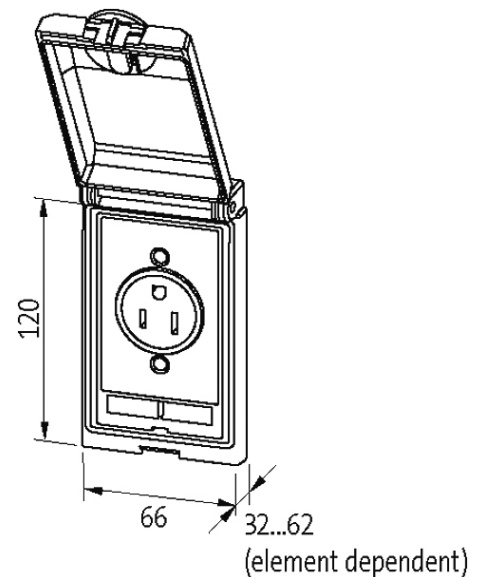
**Modlink MSDD-set: Frame 4000-68113-000000,**

insert 4000-68000-080000

[Link to Product](#)

**Illustration**



*stay connected*

Product may differ from Image

### Frame

suitable for mounting with wall thickness	1...5 mm
Protection	IP65
Housing	Zinc die-casting, with surface finishing
Temperature range	-10...+60 °C (storage temperature -25...+60 °C)

### SUB-D15 HD

Operating voltage	48 V AC/DC
Operating voltage (UL Rating)	max. 30 V AC/42.4 V DC
Operating current	3 A
Operating current (UL Rating)	max. 175 mA
No. of poles	15-pole
Connection front side	SUB-D (female)
Connection rear side	SUB-D (male)

The information in this brochure has been compiled with the utmost care.

Liability for the correctness completeness and topicality of the information is restricted to gross negligence. Version: 04/19

Murrelektronik GmbH | Falkenstraße 3 | 71570 Oppenweiler | Fon +49 (71 91) 47-0 | Fax +49 (71 91) 47-491000 | shop@murrelektronik.com | shop.murrelektronik.com

Locking of ports	UNC 4...40 bolt
------------------	-----------------

**PS2**

Operating voltage	30 V AC/DC
Operating current	1 A
No. of poles	6-pole
Connection cross section	max. 0.5 mm <sup>2</sup> (AWG 20)
Connection front side	PS2 (female)
Connection rear side	PS2 (solder connection)
Locking of ports	Screw locking

**Commercial data**

country of origin	CZ
customs tariff number	85366990
EAN	4048879036177
eClass	27189217
Packaging unit	1