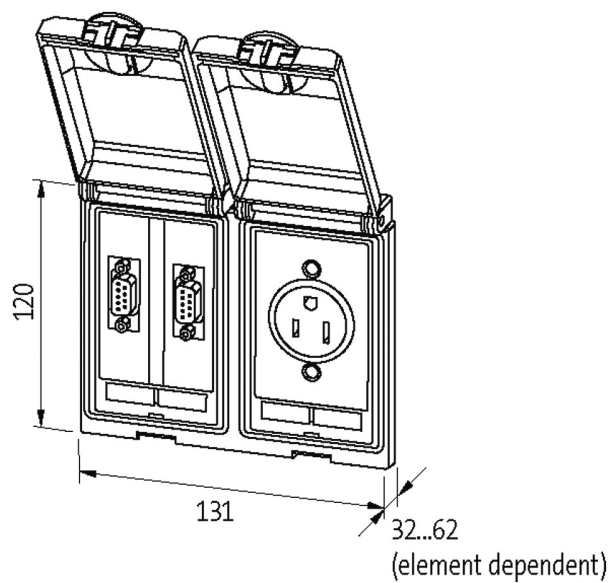


Modlink MSDD-set: Frame 4000-68223-0000000,
insert 4000-68000-0010000 + 4000-68000-8900000

[Link to Product](#)

Illustration





Product may differ from image

The information in this brochure has been compiled with the utmost care.

Liability for the correctness completeness and topicality of the information is restricted to gross negligence. Version: 04/19

Murrelektronik GmbH | Falkenstraße 3 | 71570 Oppenweiler | Fon +49 (71 91) 47-0 | Fax +49 (71 91) 47-491000 | shop@murrelektronik.com | shop.murrelektronik.com

Product may differ from image

Frame

suitable for mounting with wall thickness	1...5 mm
Protection	IP65
Housing	Frame: zinc die-casting, with surface finishing, Lid: plastic, PC transparent
Temperature range	-10...+60 °C (storage temperature -25...+60 °C)

Germany (VDE)

Operating voltage	250 V AC
Operating current	16 A
No. of poles	2 + PE
Connection	Screw terminals: max. 2 × 6 mm ² (AWG 10)
LED display	yellow

Commercial data

country of origin	CZ
customs tariff number	85389099
EAN	4048879330688
eClass	27189217
Packaging unit	1