

M12 DC/DC-TRANSFORMER

IN: 24 VDC - OUT: 10 VDC / 25 mA

Voltage regulator
12...30 V DC/ 10 V DC

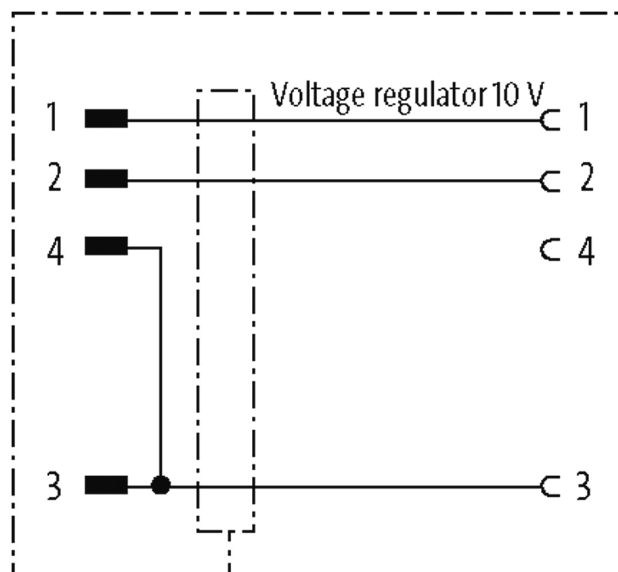
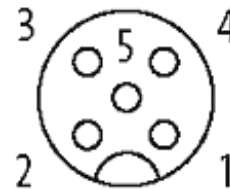
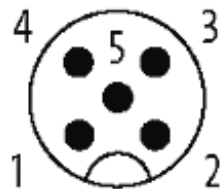
[Link to Product](#)

Illustration



Male

Female



Product may differ from image

Product may differ from image

Input

Connection voltage - current 24 V DC (12...30 V DC) - 3 mA

General data

Connection M12 – M12

Dimensions H × W × D 24.5×24.5×60.5 mm

Output

Output voltage 10 V DC

Output current max. 25 mA (short-circuit protected)

Commercial data

country of origin CZ

customs tariff number 85043121

EAN 4048879025065

eClass 27049002

Packaging unit 1