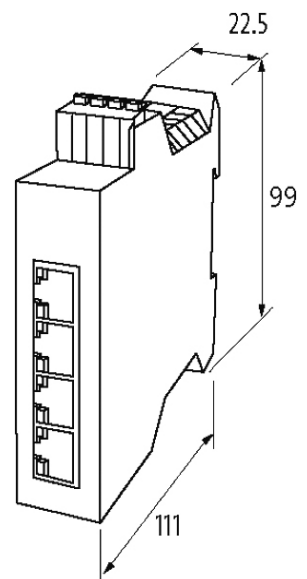


**TREE M-4TX Lite managed Switch 4 Ports**

4x10/100BT IP20 plastic

4 port managed switch

Connection cables are in the online shop under "Connection Technology".

[Link to Product](#)**Illustration**

Product may differ from Image

**Connections**

Fieldbus

4 x RJ45

Supply Spring clamp plug-in terminal: 0.2...2.5 mm<sup>2</sup>

### Technical Data

Operating voltage	9.5...31.5 V
Transfer rate	10/100 Mbit/s full duplex
Operating modes	Autocrossing Autonegotiation

### Switch Management

Switch Form	Lite - Managed Switch
Webserver	HTTP, HTTPS
VLAN (QoS) IEEE 802.p	yes
Port Mirroring	DHCP, SNMP (v1, v2c, v3), RSTP, STP
Protocols	DHCP, SNMP (v1, v2c, v3), RSTP, STP, LLDP, NTP, RMON, SSH (CLI)
Remote maintenance	Open VPN
Alarm contact	no

### General data

Protection	IP20
Housing	Black plastic
Mounting method	DIN-rail mountable (EN 50022)
Temperature range	0...+60 °C (storage temperature -40...+85 °C)
Dimensions H x W x D	111x22.5x99 mm

### Diagnostic

Communication status	via LED, LLDP
Monitoring - no voltage	yes

### Commercial data

country of origin	DE
customs tariff number	85176200
EAN	4048879689335
eClass	19170106
Packaging unit	1