

MET 1-PHASE CONTROL AND ISOLATION TRANSFORMER

P: 1500VA IN: 400VAC+/- 5% OUT: 230VAC

Single-phase - Control and Isolation Transformers

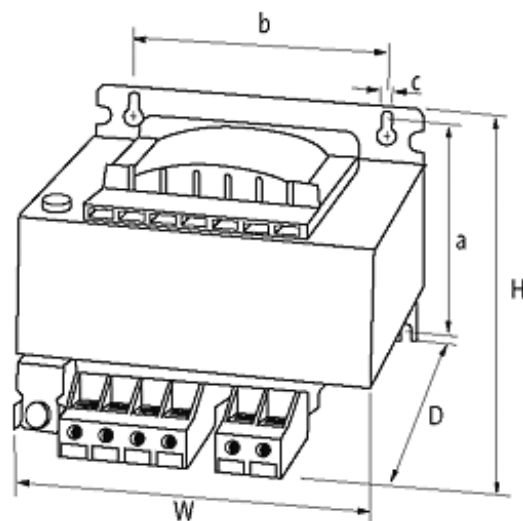
1 500 VA

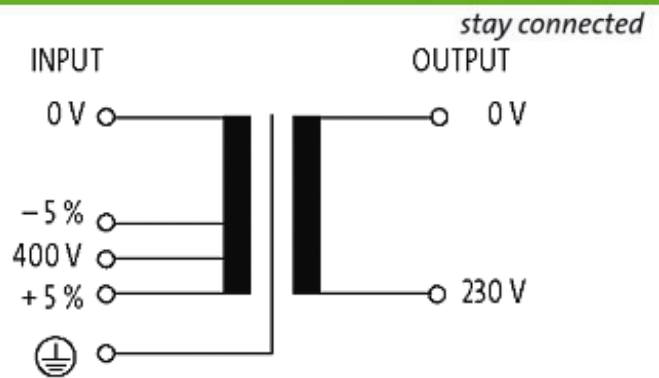
Spring clamp terminals

Isolation class T 60/B

[Link to Product](#)

Illustration





Product may differ from Image

Approvals



Input

Input voltage	400 V AC \pm 5%
Frequency	50...60 Hz
Input current	3.97 A (400 V AC)
Short-circuit current	201.5 A (400 V AC)
Inrush current	50 A (400 V AC)

General data

Standards	EN 61558-1, EN 61558-2-4, EN 62041 category 0
Dimensions H x W x D	168x174x162 mm
Fixing centers a x b x c	141.5x135x7 mm
Drill hole \emptyset	7x11 mm
Mounting method	Key-hole mounting
Temperature range	-20...+60 °C (storage temperature -40...+80 °C)

Output

Output voltage	230 V AC
Output rating	1 500 VA

Commercial data

country of origin	CZ
customs tariff number	85043200
EAN	4048879066334
eClass	27031302
Packaging unit	1