

M8 MALE 0° FIELD-WIREABLE (SOLDER PINS)4-pol. 0.25mm²

Male straight

M8, 4-pole

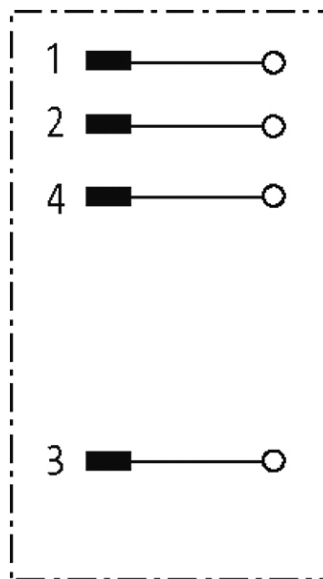
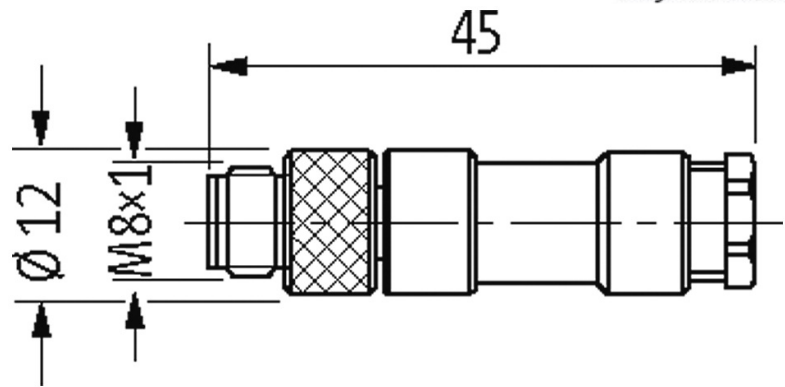
with solder pins

Connection cross section: max. 0.25 mm²[Link to Product](#)**Illustration**

Male



stay connected



Product may differ from Image

Form

Form 08421

Technical Data

Operating voltage max. 30 V AC/DC

Operating current per contact max. 4 A

Connection cross section max. 0.25 mm²

Sealing range (cable Ø) 3.5...5.0 mm

Protection IP67 inserted and tightened (EN 60529)

General data

Temperature range -25...+85 °C

Dimensions H x W x D 45x12x12 mm

Commercial data

country of origin DE

customs tariff number 85369010

EAN 4048879224659

eClass 27279221

Packaging unit

1