

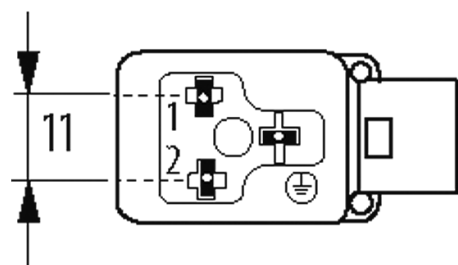
**M12 MALE ON TOP OF MSUD VALVE PLUG FORM BI 11MM**

Form BI (11 mm) – M12, connector top entry  
max. 125 V AC/DC  
without components  
3-pole

Plastic housings with good resistance against chemicals and oils. The resistance to aggressive media should be individually tested for your application. Further details on request.

[Link to Product](#)**Illustration**

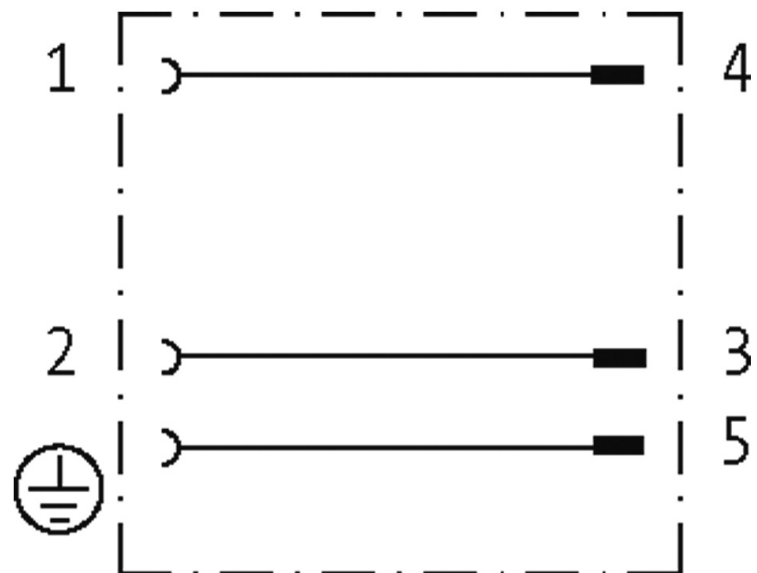
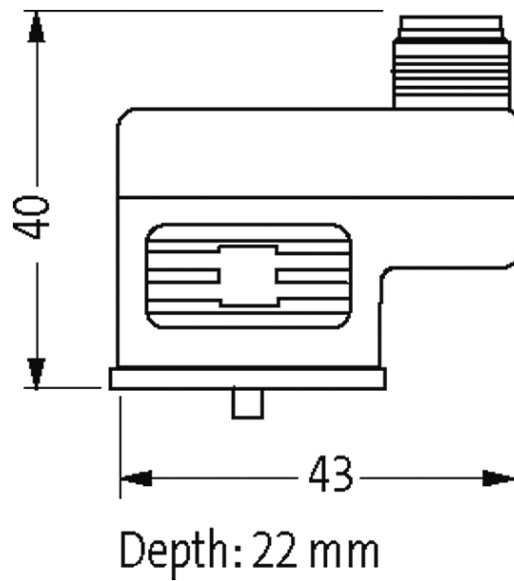
Female



Male



stay connected



Product may differ from Image

### Approvals



### Form

Form 41981

### Technical Data

Operating voltage	max. 125 V AC/DC
Operating current per contact	max. 4 A
Configuration	2 contacts + PE
Protection	IP67 inserted and tightened (EN 60529)
Locking of ports	M3/M12 × 1 mm (recommended torque 0.4/0.6 Nm)

The information in this brochure has been compiled with the utmost care.

Liability for the correctness completeness and topicality of the information is restricted to gross negligence. Version: 05/19

Murrelektronik GmbH | Falkenstraße 3 | 71570 Oppenweiler | Fon +49 (71 91) 47-0 | Fax +49 (71 91) 47-491000 | shop@murrelektronik.com | shop.murrelektronik.com

**General data**

Temperature range	-25...+85 °C
-------------------	--------------

**Commercial data**

country of origin	CZ
customs tariff number	85369010
EAN	4048879143325
eClass	27143423
Packaging unit	1