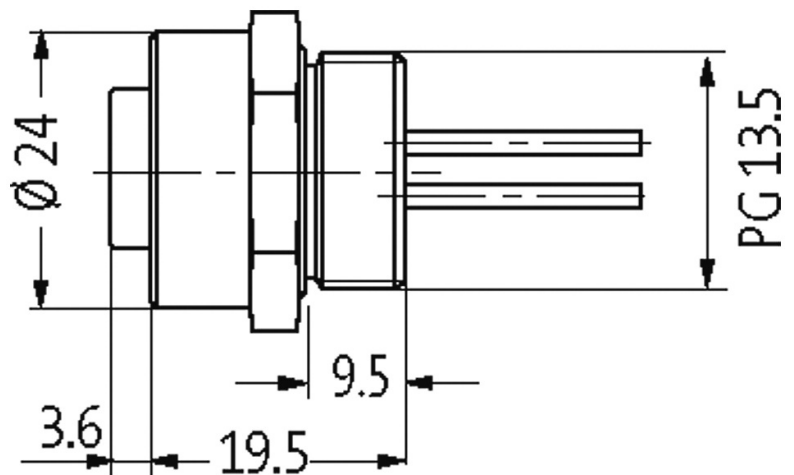
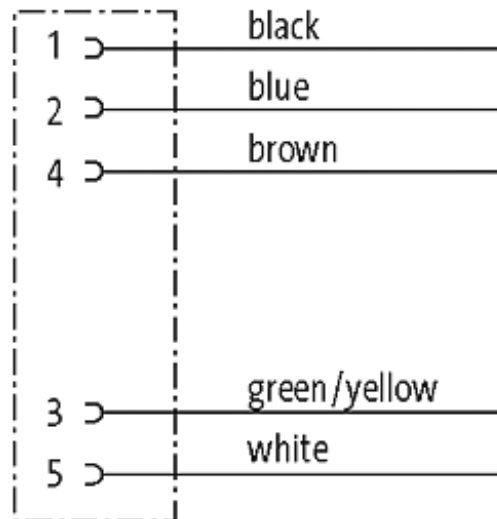


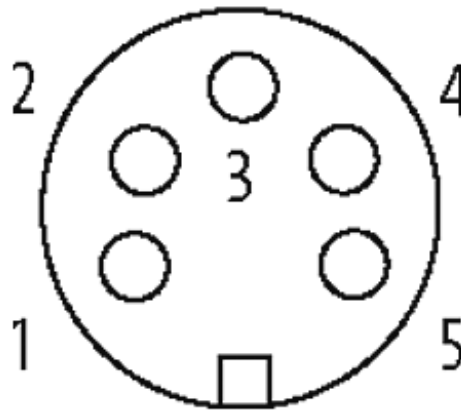
**7/8" FEMALE FLANGE PLUG**

Wire 5X0.75 1m

Flange female  
7/8", 5-pole  
with multi-strand wire[Link to Product](#)**Illustration**

*stay connected*

Female



Product may differ from Image

**Form**

Form 78381

**Cables**

|                            |                            |
|----------------------------|----------------------------|
| Cable number               | 978                        |
| No./diameter of wires      | 5 × 0.75 mm <sup>2</sup>   |
| Wire isolation             | PVC (br, wh, bl, bk, gnye) |
| Outer Ø                    | 3.1 mm ±5%                 |
| Temperature range (fixed)  | -25...+85 °C               |
| Temperature range (mobile) | -10...+50 °C               |
| Bend radius (fixed)        | 10 × outer Ø               |

**Technical Data**

|                               |   |
|-------------------------------|---|
| Operating voltage             | max. 300 V AC/DC  |
| Operating current per contact | max. 8 A  |
| Material group                | IEC 60664-1, category III                                   |
| Locking of ports              | Screw thread 7/8" (recommended torque 1.5 Nm) self-securing |

|                   |   |
|-------------------|---|
| Compression gland | 7/8" (SW24)                                 |
| Protection        | IP68 inserted and tightened (EN 60529)      |
| Connection        | pre-wired with PVC-wire isolation, (UL/CSA) |

**General data**

|                   |              |
|-------------------|--------------|
| Temperature range | -25...+85 °C |
|-------------------|--------------|

**Commercial data**

|                       |               |
|-----------------------|---------------|
| country of origin     | DE            |
| customs tariff number | 85444290      |
| EAN                   | 4048879043779 |
| eClass                | 27279218      |
| Packaging unit        | 1             |