

ADAPTOR M8 MALE 4 POLE/ M12 FEMALE CONF. 1,2,3,4

Adapter
Male/female
M8 – M12, 4-pole
for M8 distribution box 4-pole

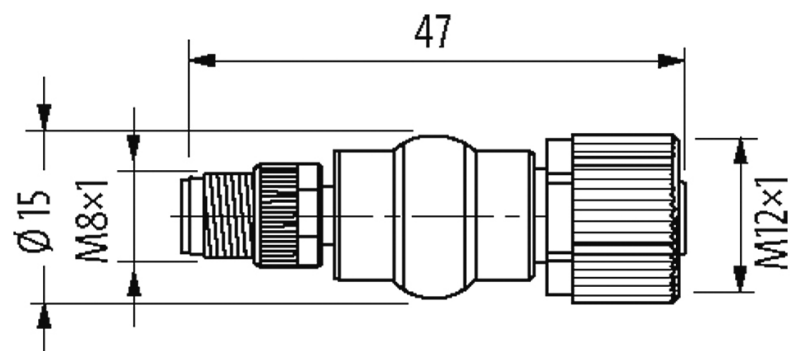
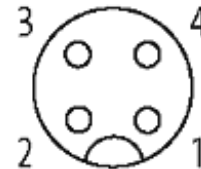
[Link to Product](#)

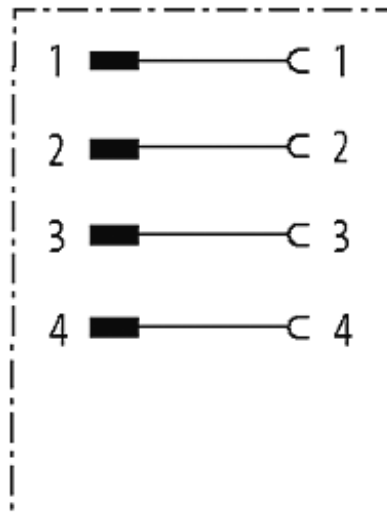
Illustration



Male

Female





Product may differ from Image

Approvals



Form

Form 88531

Technical Data

Operating voltage	max. 50 V AC/60 V DC
Operating voltage (only UL listed)	max. 30 V AC/DC
Operating current per contact	max. 4 A
Locking of ports	Screw thread M8/M12 × 1 mm (recommended torque 0.4/0.6 Nm) self-securing
Protection	IP67 inserted and tightened (EN 60529)
Locking material	Zinc die casting, matte nickel plated
Material	PUR

General data

Temperature range	-25...+85 °C
Test isolation voltage	0.8 kVrms

Commercial data

country of origin	DE
customs tariff number	85369010
EAN	4048879118514
eClass	27143423
Packaging unit	1