

Valve plug SuperSeal female 6-pol. with cable

PUR 6x0.75 bk 10m

Xtreme - Mobile Applications

Male straight

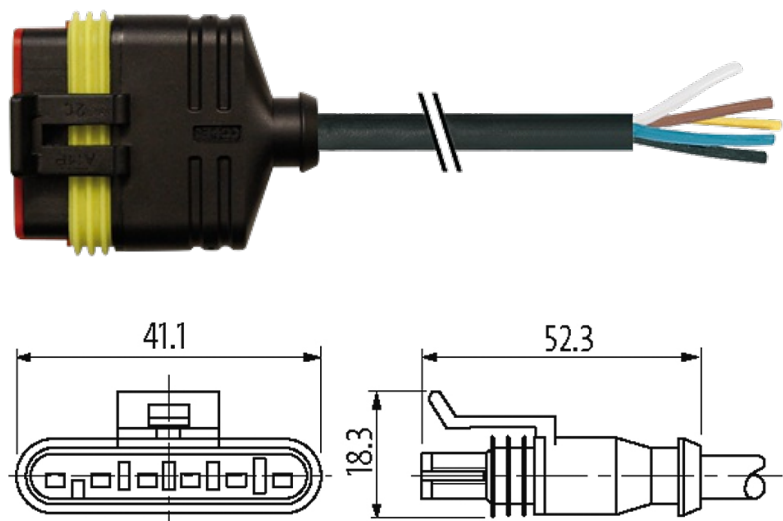
max. 24 V DC

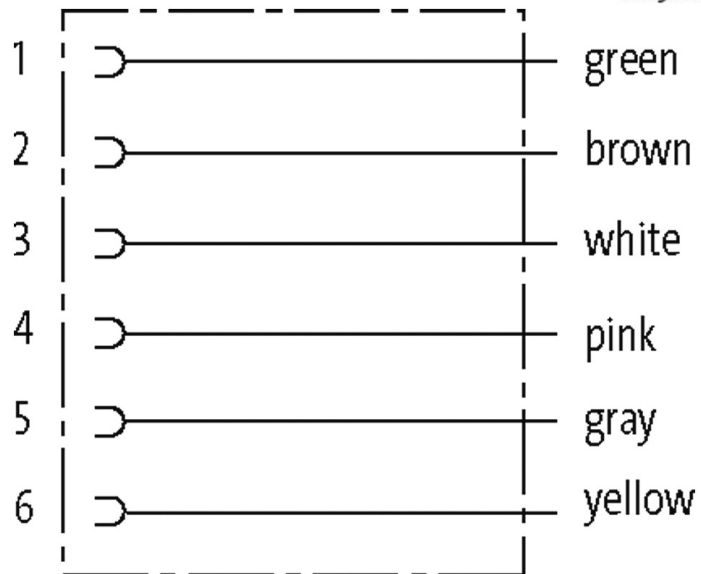
6-pole

without components

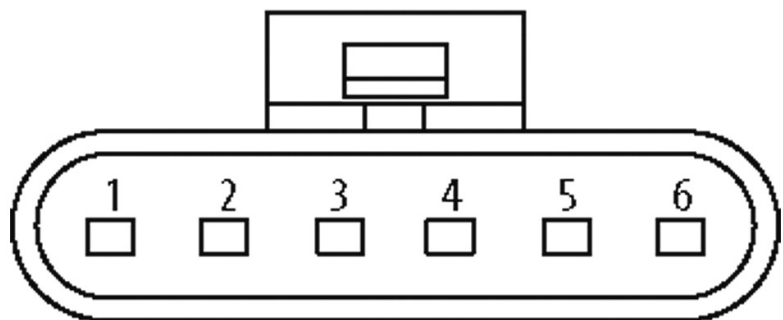
without cable sleeves

Plastic housings with good resistance against chemicals and oils. The resistance to aggressive media should be individually tested for your application. Further details on request. Further cable lengths on request.

Link to Product**Illustration**

stay connected

Male
female contacts



Product may differ from Image

Form

Form 73221

Cables

Cable number	516
No./diameter of wires	6 × 0.75 mm ²
Wire isolation	PP (br, gn, ye, gr, pk, wh)
C-track properties	4 Mio.
Jacket Color	black
Material (jacket)	PUR (UL)
Outer Ø	6.9 mm ±5%
Bend radius (moving)	12 × outer Ø
Temperature range (fixed)	-40...+80 °C
Temperature range (mobile)	-25...+80 °C
Cable identification	516
Material (wire)	Cu wire, bare

The information in this brochure has been compiled with the utmost care.

Liability for the correctness completeness and topicality of the information is restricted to gross negligence. Version: 05/19

Murrelektronik GmbH | Falkenstraße 3 | 71570 Oppenweiler | Fon +49 (71 91) 47-0 | Fax +49 (71 91) 47-491000 | shop@murrelektronik.com | shop.murrelektronik.com

Resistor (core)	max. 26 Ω /km (20 °C)
Single wire \varnothing (core)	0.15 mm
Construction (core)	42 \times 0.15 mm (multi-strand wire class 6)
Diameter (core)	6 \times 0.75 mm ²
AWG	similar to AWG 18
Material (wire isolation)	PP
Wire- \varnothing incl. isolation	1.85 mm \pm 5%
Color/numbering of wires	br, gn, ye, gr, pk, wh
Shield	no
Material (jacket)	PUR
Outer- \varnothing (jacket)	6.9 mm \pm 5%
Color (jacket)	black
Nominal voltage	300 V
Test voltage	3 000 V AC
Temperature range (fixed)	-40...+80 °C
Temperature range (mobile)	-25...+80 °C
Bend radius (moving)	12 \times outer \varnothing
No. of bending cycles (C-track)	max. 4 Mio. (25 °C)
Travel speed (C-track)	max. 100 m/min
Acceleration (C-track)	max. 10 m/s ²

Technical Data

Operating voltage	max. 24 V DC
Operating current per contact	max. 6 A (40 °C)
No. of poles	6
LED display	no
Locking of ports	Snap-in connector
Protection	IP67 inserted and tightened (EN 60529)
Material	TPU
suitable for corrugated tube (internal \varnothing)	12 mm
Housing	AMP SuperSeal 1.5, black plastic
Additional suppressor	without components

General data

Mounting method	inserted
Material (contact)	Copper alloy
Material (contact surface)	Sn
Material (gasket)	Silicon
Pollution Degree	3
Temperature range	-40...+125 °C, depending on cable quality

Commercial data

country of origin	DE
customs tariff number	85444290

EAN	4048879681452
eClass	27279218
Packaging unit	1