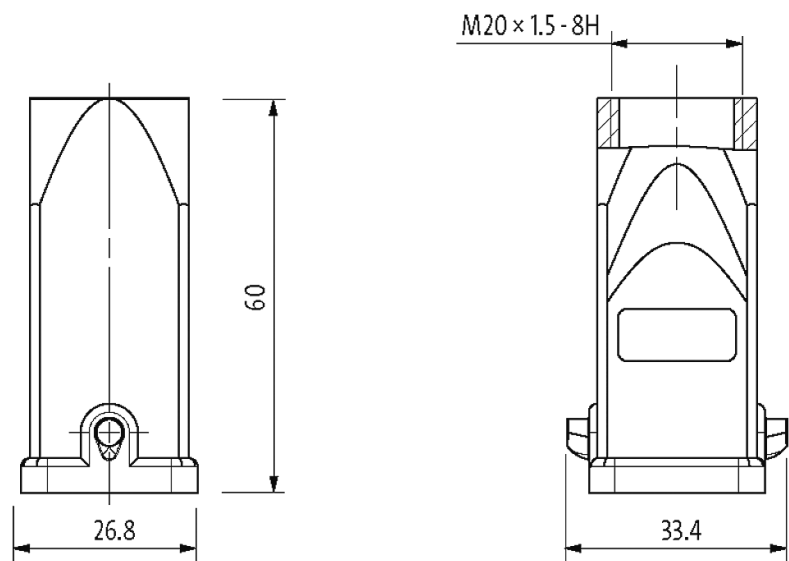


A3 Hood, IP67

Single locking lever, top entry M20

A3
Hood
Single locking lever
IP67

Technical data will be only guaranteed with Murrelektronik components.

[Link to Product](#)**Illustration**

Product may differ from Image

Technical Data

Locking of ports	Single locking lever
Protection (housing)	IP67 inserted and tightened (EN 60529), with gland
Mating cycles	min. 500

General data

Housing type	Hood
Size	A3
No. of cable outlets	1
Cable outlet	straight
Threaded hole	M20
Dimensions H x W x D	60x26.8x33.4 mm
Material (housing)	Zinc die casting
Material (housing surface)	powder-coated
Locking material	Steel (galvanized)
Climatic category	40/100/21 (EN 60068-1)
Temperature range	-40...+100 °C

Commercial data

country of origin	CZ
customs tariff number	85389099
EAN	4048879643023
eClass	27143424
Packaging unit	1