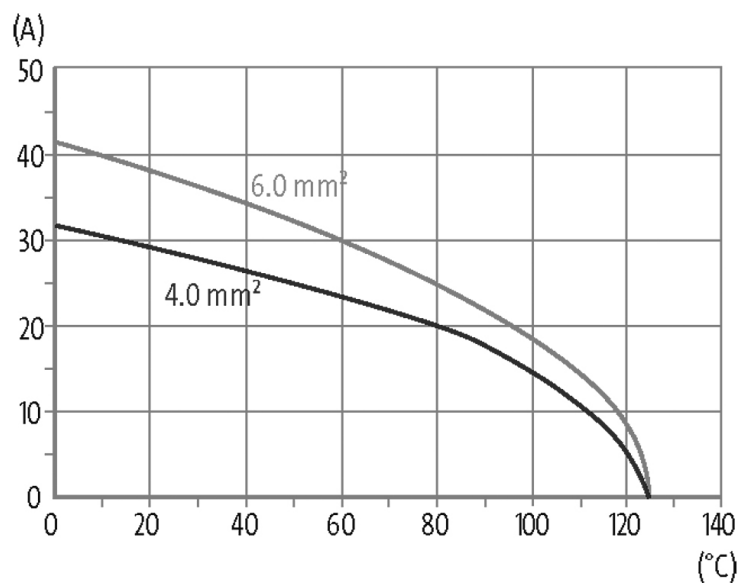


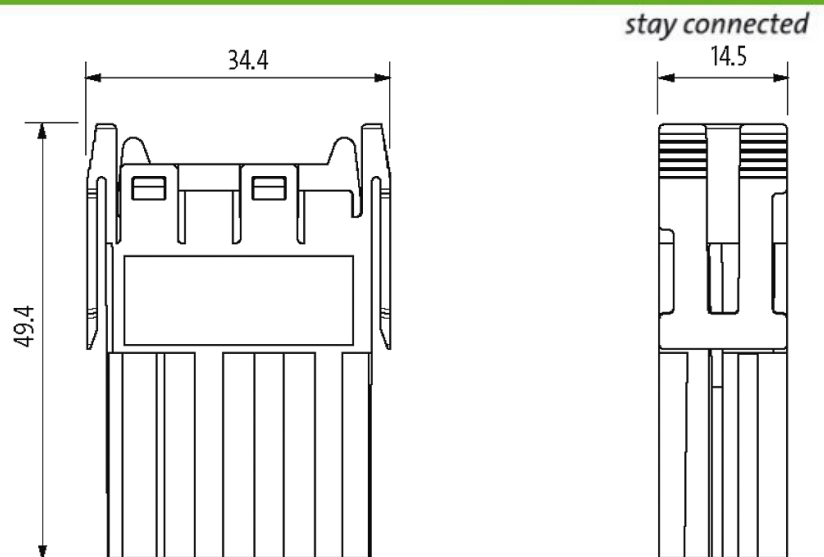
**Male module, 4-pole, crimp t.**

830 V, 40 A

Male  
4-pole  
Crimp

Technical data will be only guaranteed with Murrelektronik components.

**[Link to Product](#)****Illustration**



Product may differ from Image

### Technical Data

No. of poles	4
Connection	Crimp
Connection cross section	1.5...6 mm <sup>2</sup> (AWG 16...10)
Wire-Ø incl. isolation	max. 5.2 mm
Operating voltage	830 V AC/DC
Operating current	40 A
Over voltage category	III
Material group	I
Rated surge voltage	8 kV
Current load capacity	see derating curve
Contact resistance	≤ 5 mΩ
Isolation resistance	≥ 10 <sup>8</sup> Ω
Mating cycles	min. 500
Insertion and withdrawal force	< 220 N
Holding force (modules)	≥ 240 N
Holding force (contacts)	≥ 100 N

### General data

Type	Male
No. of module positions	1
Pollution Degree	3
Dimensions H × W × D	49.4×14.5×34.4 mm
Material (module)	PA GF
Material (contact)	Brass
Material (contact surface)	Ag
Flammability class	V-0 (acc. to UL 94)
Climatic category	40/125/10
Temperature range	-40...+125 °C

**Commercial data**

country of origin	CZ
customs tariff number	85389099
EAN	4048879641531
eClass	27143424
Packaging unit	5