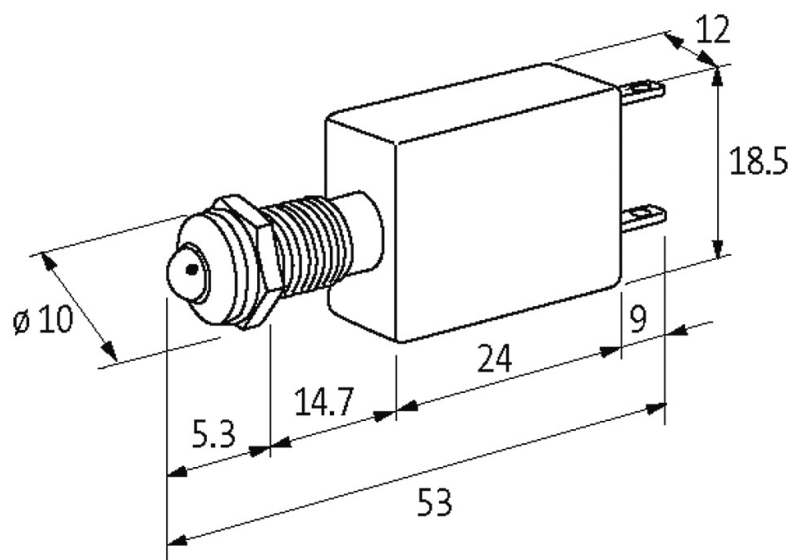
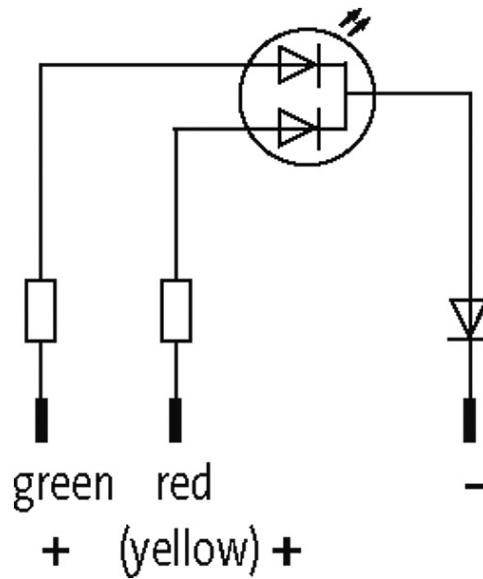


LED-INDICATOR RED/YELLOW

LED 5mm - 24V DC - 15mA - IP40

(red/yellow)
24 V DC
Protection IP40

[Link to Product](#)**Illustration**



Product may differ from Image

Technical Data

| | |
|---------------------------------|--------------------|
| Operating voltage | 24 V DC $\pm 15\%$ |
| Current consumption | 15 ± 2 mA |
| Protection (IEC 60529/EN 60529) | IP40 |

General data

| | |
|---|---------------------|
| LED \varnothing | 5 mm |
| Front panel hole diameter \varnothing | 8 mm |
| Dimensions H x W x D | 18.5x12x53 mm |
| Connection | Faston 2.8 x 0.8 mm |
| Housing | Adapter - PVC, gray |
| Temperature range | -40...+70 °C |

Commercial data

| | |
|-----------------------|---------------|
| country of origin | DE |
| customs tariff number | 85318070 |
| EAN | 4048879040839 |
| eClass | 27261590 |
| Packaging unit | 10 |