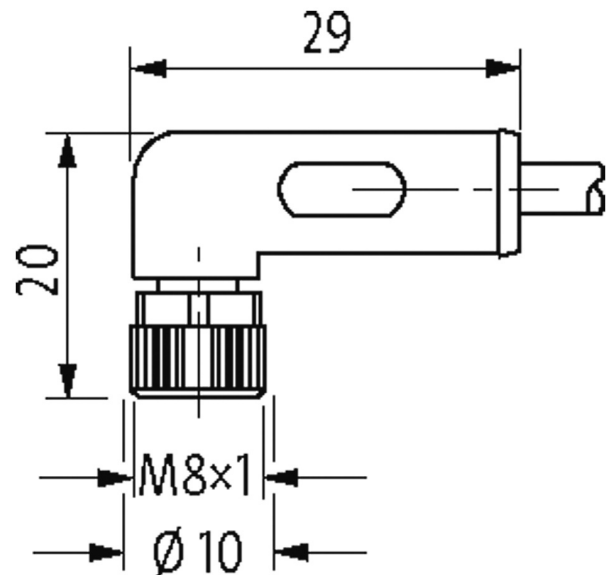


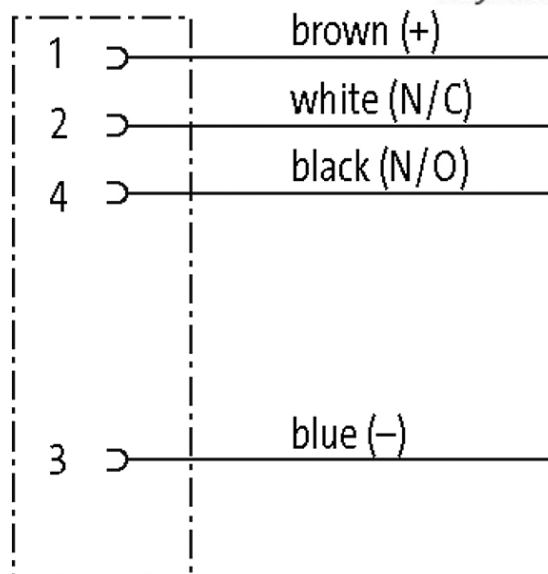
**M8 female 90° with cable**

TPE 4x22AWG ye UL/CSA, ITC/PLTC 3m

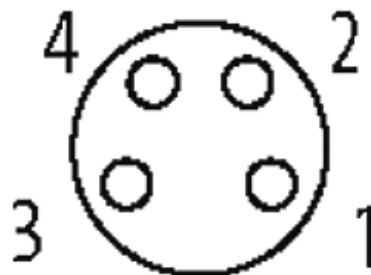
Female 90°  
M8, 4-pole  
without cable sleeves  
USA

Plastic housings with good resistance against chemicals and oils. The resistance to aggressive media should be individually tested for your application. Further details on request. Further cable lengths on request.

[Link to Product](#)**Illustration**

*stay connected*

## Female



Product may differ from Image

### Approvals



\* only for products with UL/CSA approved cable

### Form

Form 08101

### Cables

|                      |  |
|----------------------|--|
| Cable identification | U04  |
| Approval (cable)     | UL (AWM-Style 20626/1731), CSA; CE conform |
| Cable weight [g/m]   | 49,50                                      |
| Material (wire)      | Cu wire, bare                              |
| Resistor (core)      | max. 46.9 Ω/km (20 °C)                     |
| Single wire Ø (core) | 0.16 mm                                    |

The information in this brochure has been compiled with the utmost care.

Liability for the correctness completeness and topicality of the information is restricted to gross negligence. Version: 05/19

Murrelektronik GmbH | Falkenstraße 3 | 71570 Oppenweiler | Fon +49 (71 91) 47-0 | Fax +49 (71 91) 47-491000 | shop@murrelektronik.com | shop.murrelektronik.com

|                                 |  |
|---------------------------------|--|
| Construction (core)             | 19 × 0.16 mm (multi-strand wire class 5)       |
| Diameter (core)                 | 1×4×AWG22/19 (0.382)                           |
| Material (wire isolation)       | semi-rigid PVC                                 |
| Wire-Ø incl. isolation          | 1.27m ±5%                                      |
| Color/numbering of wires        | br, bk, bl, wh                                 |
| Stranding combination           | 4 wires twisted                                |
| Material (jacket)               | TPE  |
| Outer-Ø (jacket)                | 5.3 mm ±5%                                     |
| Color (jacket)                  | yellow   |
| chemical resistance             | good resistance to oil, gasoline and chemicals |
| thermal resistance              | flame retardant                                |
| Nominal voltage                 | 300 V AC                                       |
| Test voltage                    | 2 000 V AC                                     |
| Current load capacity           | to DIN VDE 0298-4                              |
| Temperature range (fixed)       | -40...+105 °C                                  |
| Temperature range (mobile)      | -20...+90 °C                                   |
| Bend radius (fixed)             | 5 × outer Ø                                    |
| Bend radius (moving)            | 10 × outer Ø                                   |
| No. of bending cycles (C-track) | max. 10 Mio. (25 °C)                           |
| Torsion stress                  | ±180° /m                                       |
| Jacket Color                    | yellow   |

#### Technical Data

|   |  |
|---|--|
| Operating voltage                         | max. 50 V AC/60 V DC   |
| Operating voltage (only UL listed)        | max. 30 V AC/DC  |
| Rated surge voltage                       | 1.5 kV   |
| Operating current per contact             | max. 4 A   |
| No. of poles                              | 4  |
| Material group                            | IEC 60664-1, category I  |
| LED display                               | no   |
| Locking of ports                          | Screw thread M8 × 1 mm (recommended torque 0.4 Nm) self-securing |
| Compression gland                         | M8 (SW9)   |
| Protection                                | IP65, IP66K, IP67 inserted and tightened (EN 60529)              |
| Locking material                          | Zinc die casting, matte nickel plated                            |
| Material                                  | PUR  |
| suitable for corrugated tube (internal Ø) | 10 mm  |

#### General data

|                           |                         |
|---------------------------|-------------------------|
| Standards                 | DIN EN 61076-2-104 (M8) |
| Mounting method           | inserted, tightened     |
| Pollution Degree          | 3                       |
| Stripping length (jacket) | 20 mm                   |

Temperature range -25...+85 °C, depending on cable quality

**Commercial data**

|                       |               |
|-----------------------|---------------|
| country of origin     | DE            |
| customs tariff number | 85444290      |
| EAN                   | 4048879758277 |
| eClass                | 27279218      |
| Packaging unit        | 1             |