

M12 male 0° / RJ45 male 0° shielded Ethernet

TPE 2x2x24AWG SF/UTP CAT5e bu UL/CSA, CM 30m

Ethernet CAT5

Male straight – male straight

M12 – RJ45, 4-pole

D-coded

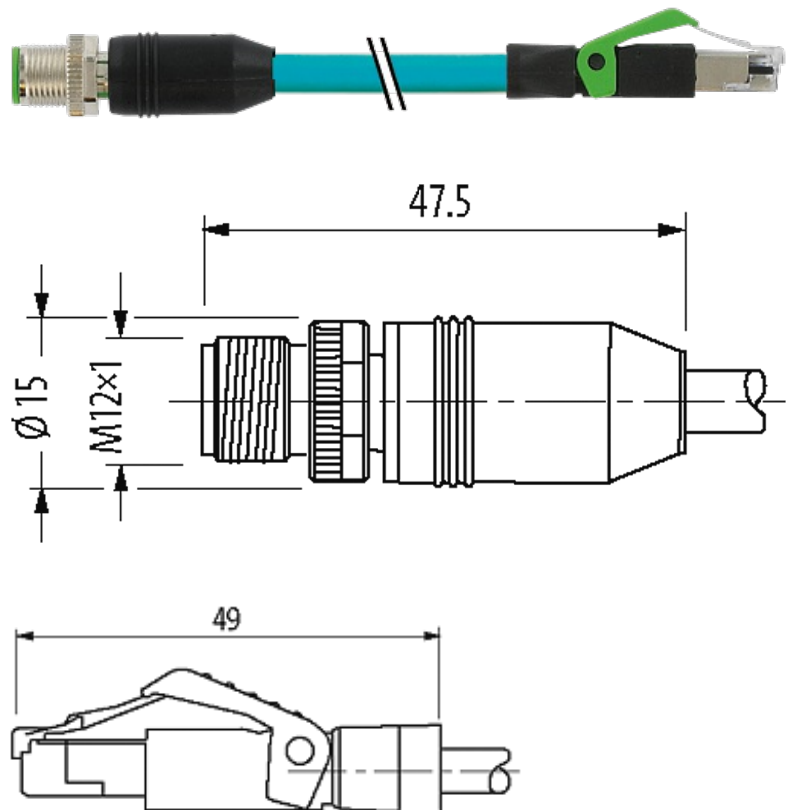
shielded

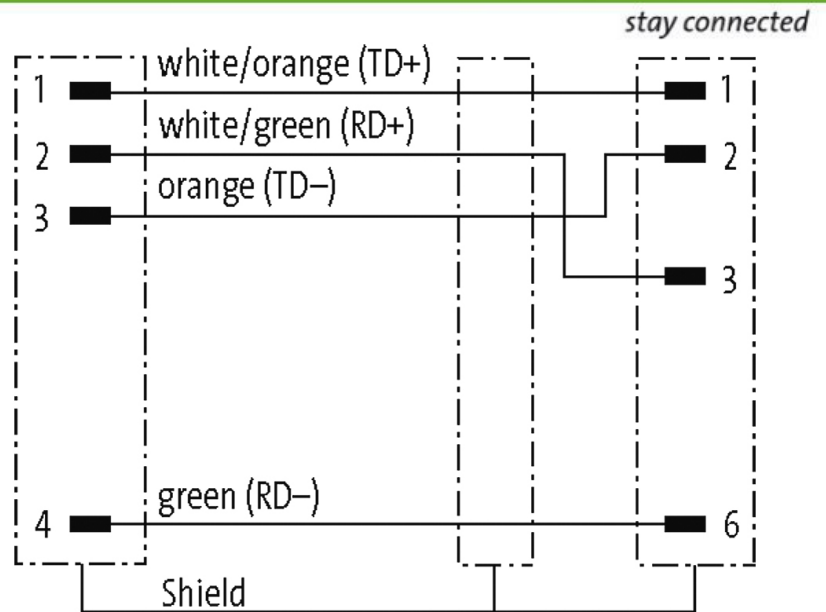
8-pole, partly used

USA

without cable sleeves

Further cable lengths on request. Plastic housings with good resistance against chemicals and oils. The resistance to aggressive media should be individually tested for your application. Further details on request.

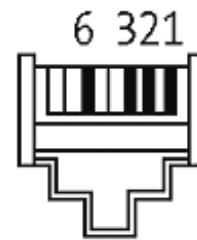
[Link to Product](#)**Illustration**



Male



Male



Product may differ from Image

Approvals



* only for products with UL/CSA approved cable

More Info



EtherNet/IP

Form

Form 44711

Cables

Cable identification	S4U
Cable weight [g/m]	55,66
Material (wire)	Cu wire, tin plated
Construction (core)	7 × 0.203 mm
Diameter (core)	2×2×0.25 mm ²

The information in this brochure has been compiled with the utmost care.

Liability for the correctness completeness and topicality of the information is restricted to gross negligence. Version: 05/19

Murrelektronik GmbH | Falkenstraße 3 | 71570 Oppenweiler | Fon +49 (71 91) 47-0 | Fax +49 (71 91) 47-491000 | shop@murrelektronik.com | shop.murrelektronik.com

AWG	similar to AWG 24
Material (wire isolation)	HDPE
Wire-Ø incl. isolation	1.22 mm ±5%
Color/numbering of wires	(wh-or, or) + (wh-gn, gn)
Shield	yes
	min. 75%
Material (jacket)	T PE
Outer-Ø (jacket)	6.6 mm ±5%
Nominal voltage	600 V
Temperature range (fixed)	-40...+80 °C
Temperature range (mobile)	-40...+80 °C
Bend radius (moving)	10 × outer Ø
No. of bending cycles (C-track)	max. 1 Mio. (25 °C)
Torsion stress	max. 3 Mio. (25 °C)
No./diameter of wires	2×2×0.25 mm ²
Wire isolation	HDPE (whor, or, whgn, gn)
C-track properties	1 Mio.
Material (jacket)	T PE (UL/CSA)
Jacket Color	blue
Outer Ø	6.6 mm ±5%
Bend radius (moving)	10 × outer Ø
Temperature range (fixed)	-40...+80 °C
Temperature range (mobile)	-20...+80 °C

Technical Data

Operating voltage	max. 60 V DC
Operating voltage (only UL listed)	max. 30 V DC
Rated surge voltage	1.0 kV
Operating current per contact	max. 1.5 A (20 °C)
Material group	IEC 60664-1, category I
No. of poles	4
Transfer parameters	CAT5, Class D (ISO/IEC 11801:2002), (EN 50173-1)
Transfer rate	up to 100 Mbit/s full duplex
Coding	M12, D-coded
LED display	no
Locking of ports	Screw thread M12 × 1 mm (recommended torque 0.6 Nm) self-securing
Compression gland	M12 (SW13)
Protection	IP67 (M12) - IP20 (RJ45)
Locking material	Zinc die casting, matte nickel plated (M12)
Material	PUR
suitable for corrugated tube (internal Ø)	without

General data

The information in this brochure has been compiled with the utmost care.

Liability for the correctness completeness and topicality of the information is restricted to gross negligence. Version: 05/19

Standards	DIN EN 61076-2-101 (M12)
Mounting method	inserted, tightened
Pollution Degree	3
Temperature range	-25...+85 °C, depending on cable quality

Commercial data

country of origin	DE
customs tariff number	85444210
EAN	4048879628655
eClass	27061801
Packaging unit	1