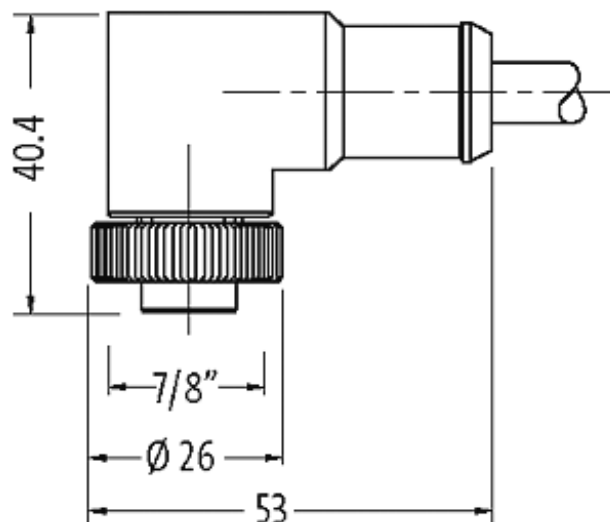
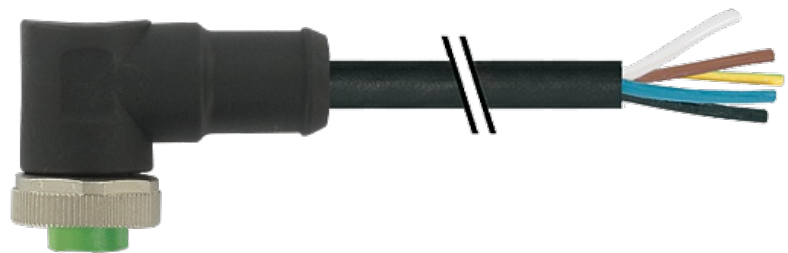


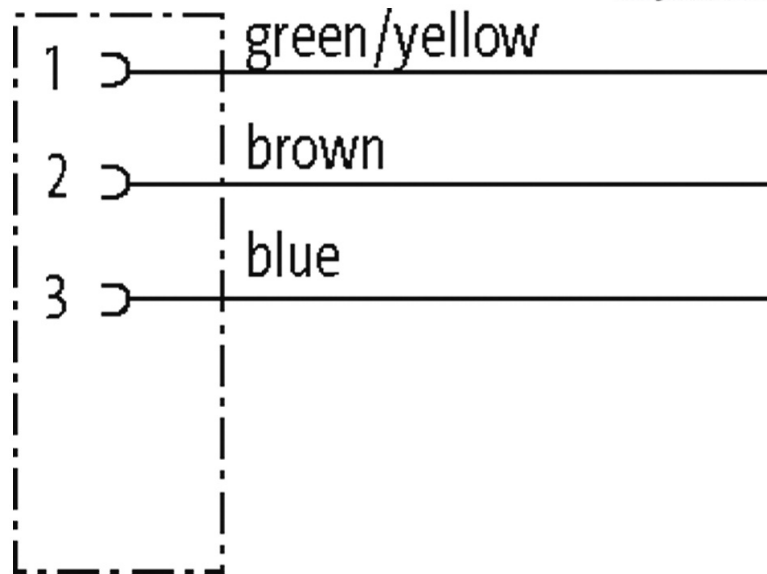
**Mini (7/8) 3 pole, Female 90° w/ Cable,**

PUR, UL/CSA, 3x16AWG, black, 10m

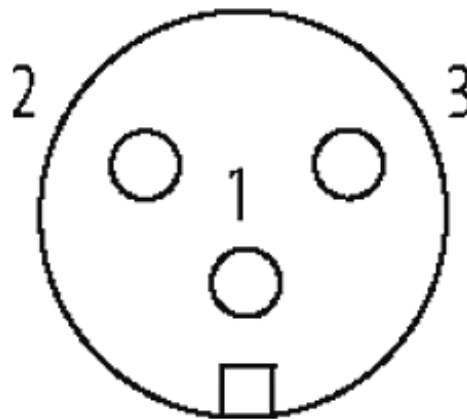
Female 90°  
7/8", 3-pole  
Power cable  
USA  
without cable sleeves

Further cable lengths on request. Plastic housings with good resistance against chemicals and oils. The resistance to aggressive media should be individually tested for your application. Further details on request.

[Link to Product](#)**Illustration**



Female



Product may differ from Image

## Approvals



\* only for products with UL/CSA approved cable

## Form

Form A3031

## Cables

Cable number	UMB
No./diameter of wires	3×1.5 mm <sup>2</sup>
Wire isolation	TPM (br, bl, gnye)
C-track properties	5 Mio.
Jacket Color	black
Material (jacket)	PUR (UL/CSA)

The information in this brochure has been compiled with the utmost care.

Liability for the correctness completeness and topicality of the information is restricted to gross negligence. Version: 05/19

Murrelektronik GmbH | Falkenstraße 3 | 71570 Oppenweiler | Fon +49 (71 91) 47-0 | Fax +49 (71 91) 47-491000 | shop@murrelektronik.com | shop.murrelektronik.com

Outer Ø	7.4 mm ±5%
Bend radius (fixed)	7.5 × outer Ø
Bend radius (moving)	10× outer Ø
Temperature range (fixed)	-40...+80 °C
Temperature range (mobile)	-20...+80 °C

### Technical Data

Operating voltage	max. 600 V AC/DC
Rated surge voltage	4 kV
Operating current per contact	max. 12 A
No. of poles	3
LED display	no
Locking of ports	Screw thread 7/8" (recommended torque 1.5 Nm) self-securing
Compression gland	7/8" (SW24)
Protection	IP68 inserted and tightened (EN 60529)
Locking material	Zinc die casting, matte nickel plated
Material	PUR

### General data

Mounting method	inserted, tightened
Pollution Degree	3
Temperature range	-25...+80 °C, depending on cable quality

### Commercial data

country of origin	DE
customs tariff number	85444290
EAN	4048879634793
eClass	27279218
Packaging unit	1